



CONNOS TABLE OF CONTENTS

Connos Specifications	2
Connos Options	3
Connos Corner Units	4
Connos Arc Units	5
Connos Star & Star Grande	6
Connos Bench	8
Connos Fabric Placement	10
Connos Overall Dimensions	11
Connos Sample Configurations	12

CONNOS

The Connos collection is an extensive and versatile modular bench, that features comfortable seating with simple designs and unique shapes. It offers straight, curved and corner units, complemented by fun ottomans with optional casters and tablet tables that are great for collaboration of small or large groups. Our Star and Star Grande designs, have unique patterns that will bring dynamic design to any space. Connos has endless configurations, and a great place to sit down and connect.



Round Corner



Square Corner



Arc



Star



Star Grande



Benches

ORDERING INFORMATION

- 1) Series Name
- 2) Model Number
- 3) Quantity
- 4) Fabric Grade & Number
- 5) Optional Items
- 6) Specify Laminate

SOFT SEATING	WEIGHT LIMIT
1 Seat	500 lbs.
2 Seat	1000 lbs.
3 Seat	1500 lbs.

GENERAL SPECIFICATIONS

Upholstery

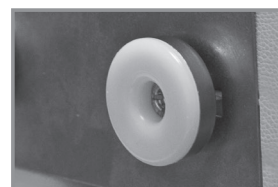
Seat is covered in choice of fabric, vinyl, crypton, leather or COM.

Frame Construction

Frame made out of hardwood with flexible webbing installed on seat for added support and soft sit. Frame is machine screwed to wood frame for durability.

Glides

Each unit comes with 4 adjustable 1-3/8" polyvinyl glides.



1-3/8" Dia. Glide

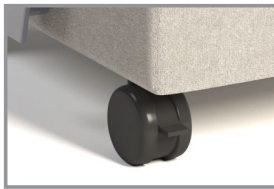
OPTIONS

- CODE: FR - CAL 133 (TB 133) Fire Retardant.
- CODE: MB - Moisture Barrier (up to 60" overall width)
- CODE: MB60 - Moisture Barrier (over 60" overall width)
- CODE: 2FO - Two Fabric Option
- CODE: GD2 - Flat Ganging Device for Soft Seating
- CODE: FMG - Floor Mount Glide
- CODE: LAM5 - Non-standard laminate for 5 or less tablets
see options for upcharge
- CODE: SST - Solid Surface Top
- CODE: SS5 - Non-standard Solid Surface top for 5 or less tablets
- CODE: E3D - Edge 3A 3MM PVC Woodtone
- CODE: E6F - Edge 6F Multi-Ply Exposed Core



Cove Power/Data/USB

Factory installed power/data available, See accessories online under the 'Products' tab



3" Locking Casters
(Available on Tabouret Only)



Floor Mount



Flat Ganging Bracket

NOTE: Flat ganging devices used for curve and straight configurations

DIMENSIONS	90° Round Corner	90° Square Corner
Overall Width:	42"	32"
Overall Depth:	42"	32"
Seat Height:	18"	18"
# of Seats:	1	1
Qty./Wt. per carton:	1 ea./47 lbs.	1 ea./47 lbs.

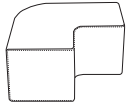


90° ROUND CORNER



90° SQUARE CORNER

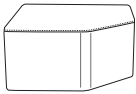
MODEL / DESCRIPTION / LIST PRICING



7418 90° Round Corner

COM Yardage: 4.5 Yds. / Seat: 1.5 Yds. / Base: 3 Yds.

COM	GR1	GR2	GR3	GR4	GR5	GR6	GR7	GR8	GR9	GR10	LEA
\$2688	\$2875	\$2989	\$3111	\$3233	\$3362	\$3500	\$3637	\$3780	\$3935	\$4092	\$4836



7419 90° Square Corner

COM Yardage: 3.25 Yds. / Seat: 1.5 Yd. / Base: 1.75 Yds.

COM	GR1	GR2	GR3	GR4	GR5	GR6	GR7	GR8	GR9	GR10	LEA
\$2581	\$2762	\$2873	\$2986	\$3105	\$3228	\$3360	\$3494	\$3633	\$3778	\$3932	\$4643

OPTIONS

Add upcharge to list price and code to model number

FR	CAL 133 (TB 133) Fire Retardant per yard	\$118	/yd.
MB	Moisture Barrier (up to 60" overall width)	\$164	ea.
2FO	Two Fabric Option	\$131	

GD2	Flat Ganging Device for Soft Seating	\$112	per pair
FMG	Floor Mount Glide	\$29	ea.

DIMENSIONS	30° Arc	45° Arc	60° Arc	90° Arc
Overall Width:	26.5"	33"	43"	64"
Overall Depth:	20"	20"	20"	20"
Seat Height:	18"	18"	18"	18"
# of Seats:	1	1	2	3
Qty./Wt. per carton:	1 ea./35 lbs.	1 ea./40 lbs.	1 ea./45 lbs.	1 ea./50 lbs.



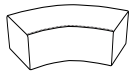
MODEL / DESCRIPTION / LIST PRICING



7414 30° Arc

COM Yardage: 3 Yds. / Top: 1 Yd. / Base: 2 Yds.

COM	GR1	GR2	GR3	GR4	GR5	GR6	GR7	GR8	GR9	GR10	LEA
\$1551	\$1659	\$1726	\$1795	\$1867	\$1942	\$2018	\$2097	\$2184	\$2268	\$2360	\$2791



7415 45° Arc

COM Yardage: 4.5 Yds. / Top: 2 Yds. / Base: 2.5 Yds.

COM	GR1	GR2	GR3	GR4	GR5	GR6	GR7	GR8	GR9	GR10	LEA
\$2097	\$2248	\$2336	\$2432	\$2526	\$2626	\$2733	\$2844	\$2956	\$3077	\$3198	\$3778



7416 60° Arc

COM Yardage: 4.75 Yds. / Top: 2 Yds. / Base: 2.75 Yds.

COM	GR1	GR2	GR3	GR4	GR5	GR6	GR7	GR8	GR9	GR10	LEA
\$2430	\$2598	\$2700	\$2810	\$2922	\$3039	\$3162	\$3289	\$3417	\$3555	\$3698	\$4369



7417 90° Arc

COM Yardage: 7 Yds. / Seat: 3.5 Yds. / Base: 3.5 Yds.

COM	GR1	GR2	GR3	GR4	GR5	GR6	GR7	GR8	GR9	GR10	LEA
\$2838	\$3035	\$3158	\$3281	\$3414	\$3550	\$3693	\$3844	\$3993	\$4154	\$4322	\$5105

OPTIONS

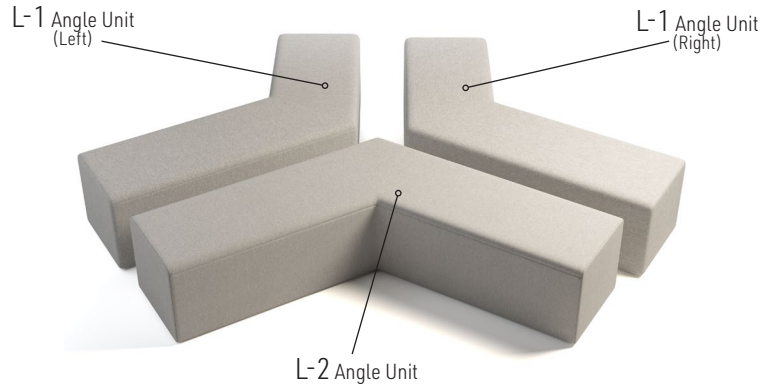
Add upcharge to list price and code to model number

FR	CAL 133 (TB 133) Fire Retardant per yard	\$118	/yd.	2FO	Two Fabric Option	\$131	
MB	Moisture Barrier (up to 60" overall width)	\$164	ea.	GD2	Flat Ganging Device for Soft Seating	\$112	per pair
MB60	Moisture Barrier (over 60" overall width)	\$262	ea.	FMG	Floor Mount Glide	\$29	ea.

DIMENSIONS	Star	L-1 Angle Unit	L-2 Angle Unit
Overall Width:	48"	70"	97"
Overall Depth:	55"	20"	20"
Seat Height:	18"	18"	18"
Qty./Wt. per carton:	1 ea./40 lbs.	1 ea./50 lbs.	1 ea./55 lbs.

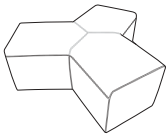


STAR



STAR GRANDE

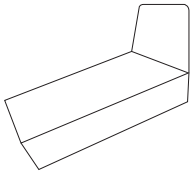
MODEL / DESCRIPTION / LIST PRICING



7410 Star (One piece construction)

COM Yardage: 5.5 Yds. / Top: 2.5 Yd. / Base: 3 Yds.

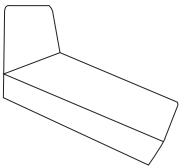
COM	GR1	GR2	GR3	GR4	GR5	GR6	GR7	GR8	GR9	GR10	LEA
\$6041	\$6466	\$6724	\$6991	\$7271	\$7562	\$7863	\$8178	\$8505	\$8845	\$9201	\$10872



7412L L-1 Angle Unit (Left)

COM Yardage: 6.5 Yds. / Top: 2.5 Yds. / Base: 4 Yds.

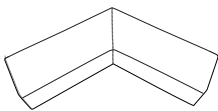
COM	GR1	GR2	GR3	GR4	GR5	GR6	GR7	GR8	GR9	GR10	LEA
\$4826	\$5165	\$5371	\$5587	\$5810	\$6041	\$6286	\$6534	\$6798	\$7067	\$7350	\$8689



7412R L-1 Angle Unit (Right)

COM Yardage: 6.5 Yds. / Top: 2.5 Yds. / Base: 4 Yds.

COM	GR1	GR2	GR3	GR4	GR5	GR6	GR7	GR8	GR9	GR10	LEA
\$4826	\$5165	\$5371	\$5587	\$5810	\$6041	\$6286	\$6534	\$6798	\$7067	\$7350	\$8689



7413 L-2 Angle Unit

COM Yardage: 6.5 Yds. / Top: 2.5 Yds. / Base: 4 Yds.

COM	GR1	GR2	GR3	GR4	GR5	GR6	GR7	GR8	GR9	GR10	LEA
\$5759	\$6162	\$6411	\$6664	\$6931	\$7209	\$7498	\$7798	\$8108	\$8433	\$8770	\$10367

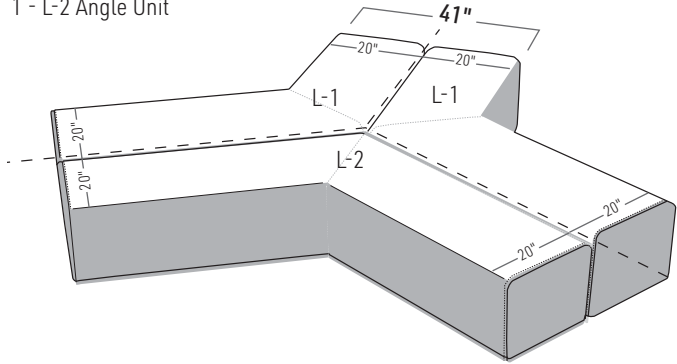
OPTIONS

Add upcharge to list price and code to model number

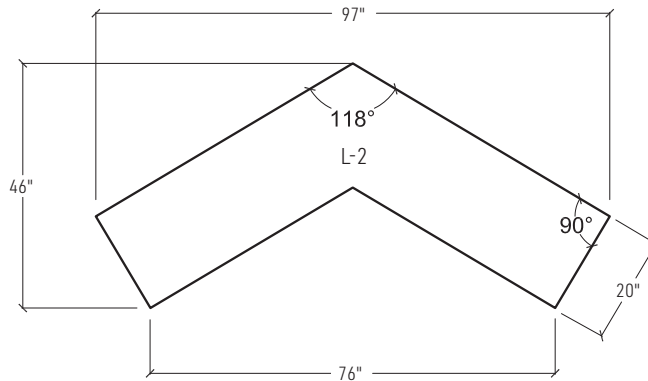
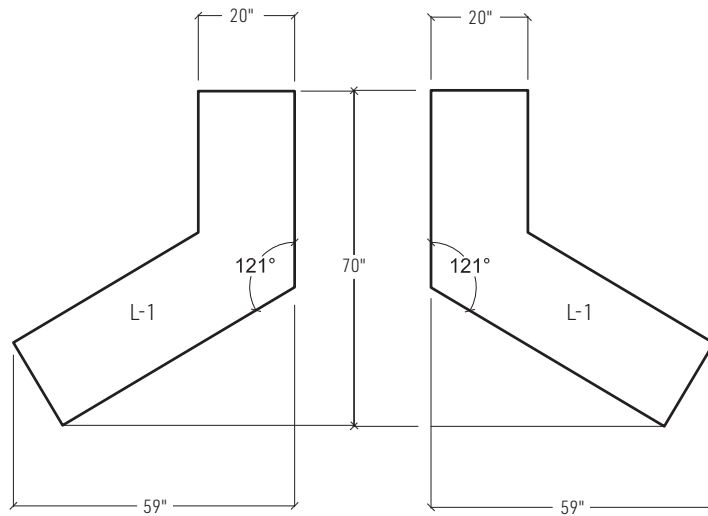
FR	CAL 133 (TB 133) Fire Retardant per yard	\$118	/yd.
MB	Moisture Barrier (up to 60" overall width)	\$164	ea.
MB60	Moisture Barrier (over 60" overall width)	\$262	ea.

2FO	Two Fabric Option	\$131	
GD2	Flat Ganging Device for Soft Seating	\$112	per pair
FMG	Floor Mount Glide	\$29	ea.

Star Grande consists of 3 pieces:
2 - L-1 Angle Unit
1 - L-2 Angle Unit



STAR GRANDE



STAR GRANDE

Note: The three illustrated components above are required for the Star Grande configuration.

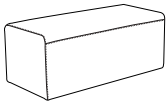
DIMENSIONS	Two seat bench	Three seat bench
Overall Width:	42"	64"
Overall Depth:	20"	20"
Seat Height:	18"	18"
Qty./Wt. per carton:	1 ea./42 lbs.	1 ea./42 lbs.



TWO SEAT BENCH

THREE SEAT BENCH

MODEL / DESCRIPTION / LIST PRICING

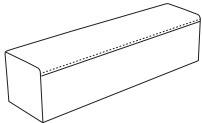


7406

Two seat bench

COM Yardage: 4.75 Yds. / Top: 1.75 Yds. / Sides: 3 Yds.

COM	GR1	GR2	GR3	GR4	GR5	GR6	GR7	GR8	GR9	GR10	LEA
\$2181	\$2331	\$2424	\$2523	\$2622	\$2727	\$2838	\$2950	\$3068	\$3191	\$3319	\$3924



7408

Three Seat Bench

COM Yardage: 6 Yds. / Top: 2.5 Yds. / Base: 3.5 Yds..

COM	GR1	GR2	GR3	GR4	GR5	GR6	GR7	GR8	GR9	GR10	LEA
\$2590	\$2771	\$2882	\$2996	\$3116	\$3244	\$3371	\$3506	\$3645	\$3794	\$3943	\$4660

OPTIONS

Add upcharge to list price and code to model number

FR	CAL 133 (TB 133) Fire Retardant per yard	\$118	/yd.
MB	Moisture Barrier (up to 60" overall width)	\$164	ea.
MB60	Moisture Barrier (over 60" overall width)	\$262	ea.
GD2	Flat Ganging Device for Soft Seating	\$112	per pair
FMG	Floor Mount Glide	\$29	ea.

LAM5	Non-standard laminate (5 tablets or less)	\$554	ea. tablet
SST	Solid Surface Tablet Arm - add to tablet option	\$271	ea. tablet
SS5	Non-standard Solid Surface (5 tablets or less)	Call For Quote	
2FO	Two Fabric Option	\$131	

DIMENSIONS	1 seat bench w/ online end table (Laminate Top)	2 seat bench w/ online end table (Laminate Top)	2 seat bench w/ online middle table (Laminate Top)
Overall Width:	42"	64"	64"
Overall Depth:	20"	20"	20"
Seat Height:	18"	18"	18"
Table Height:	16"	16"	16"
Qty./Wt. per carton:	1 ea./25 lbs.	1 ea./30 lbs.	1 ea./35 lbs.

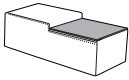
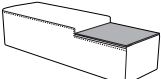
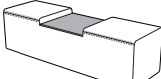
Laminate Top Note:

- Tops are 3/4" laminate
- Std with 2C 3mm solid PVC
- Upcharge for these edges
 - 3D - 3mm Woodtone
 - 6F - Multi-Exposed core



TWO SEAT BENCH W/ LAMINATE TOP ONLINE END TABLE

MODEL / DESCRIPTION / LIST PRICING

MODEL	DESCRIPTION	COM	GR1	GR2	GR3	GR4	GR5	GR6	GR7	GR8	GR9	GR10	LEA
7420	1 Seat Bench w/ Laminate Top Online Table	COM Yardage: 4.25 Yds. / Top: 1.75 Yds. / Base: 2.5 Yds.											
		\$2690	\$2877	\$2993	\$3115	\$3236	\$3366	\$3502	\$3642	\$3788	\$3940	\$4095	\$4844
7421	2 Seat Bench w/ Laminate Top Online End Table	COM Yardage: 5.25 Yds. / Seat: 2 Yds. / Base: 3.25 Yds.											
		\$3167	\$3387	\$3521	\$3663	\$3806	\$3960	\$4119	\$4285	\$4453	\$4632	\$4816	\$5695
7422	2 Seat Bench w/ Laminate Top Online Center Table	COM Yardage: 5.25 Yds. / Seat: 2 Yds. / Base: 3.25 Yds.											
		\$3167	\$3387	\$3521	\$3663	\$3806	\$3960	\$4119	\$4285	\$4453	\$4632	\$4816	\$5695

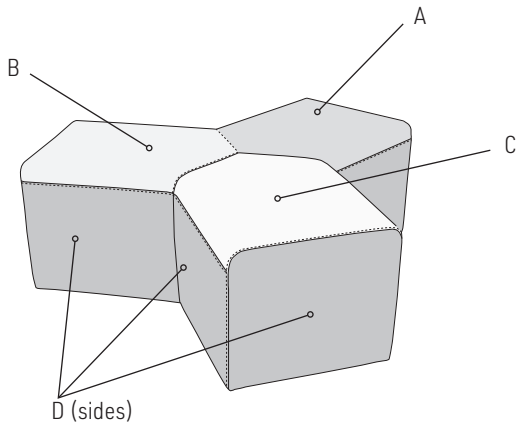
OPTIONS

Add upcharge to list price and code to model number

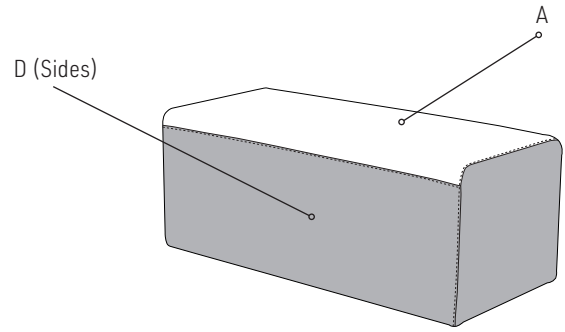
FR	CAL 133 (TB 133) Fire Retardant per yard	\$118	/yd.
MB	Moisture Barrier (up to 60" overall width)	\$164	ea.
MB60	Moisture Barrier (over 60" overall width)	\$262	ea.
2FO	Two Fabric Option	\$131	
GD2	Flat Ganging Device for Soft Seating	\$112	per pair
FMG	Floor Mount Glide	\$29	ea.

LAM5	Non-standard laminate (5 tablets or less)	\$554	ea. tablet
SS5	Non-standard Solid Surface (5 tablets or less)	Call For Quote	
SST	Solid Surface	CALL	
E3D	3D PVC 3MM Woodtome Table Edge	\$170	
E6F	6F Exposed Multi-Ply Table Edge	\$441	

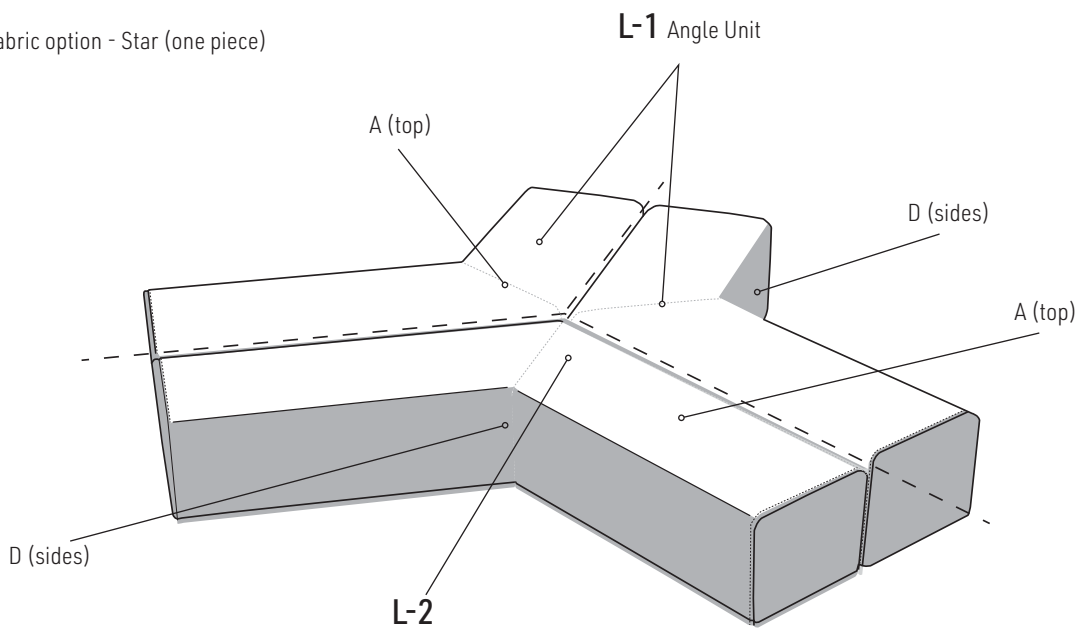
Choose from the following fabric options:



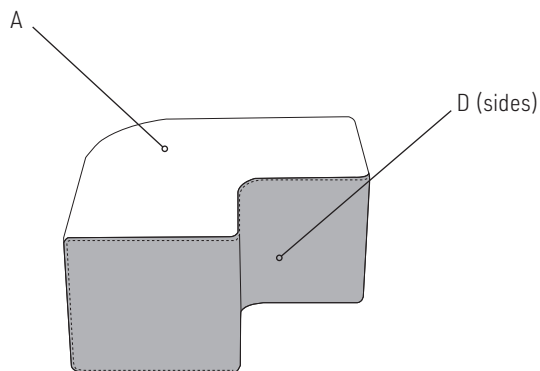
4 Fabric option - Star (one piece)



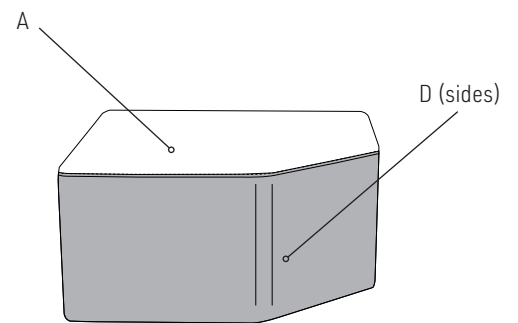
2 Fabric option - Bench



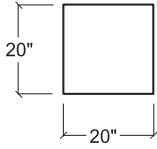
2 Fabric option - Star Grande - L-1 Angle Unit and L-2 Angle Unit (3-pieces)



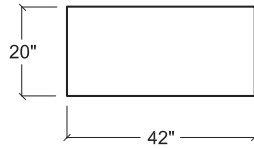
2 Fabric option - 90° Round Corner



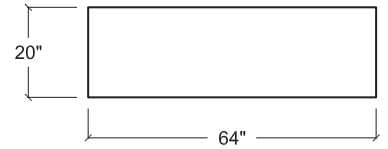
2 Fabric option - Square Corner



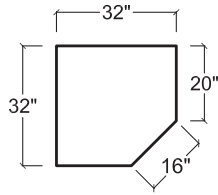
SQUARE TABOURET



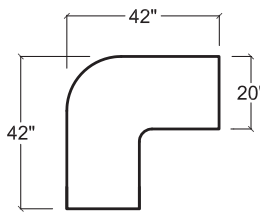
TWO SEAT BENCH



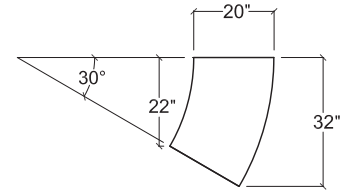
THREE SEAT BENCH



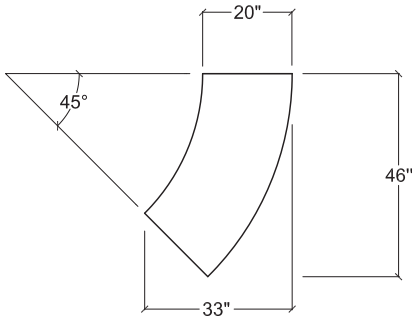
90° SQUARE CORNER



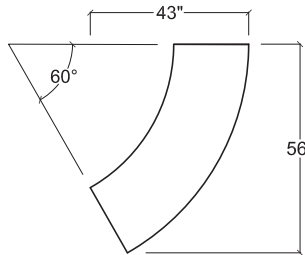
90° ROUND CORNER



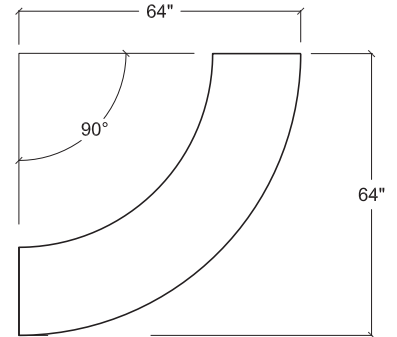
30° ARC



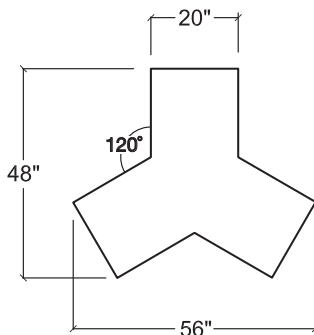
45° ARC



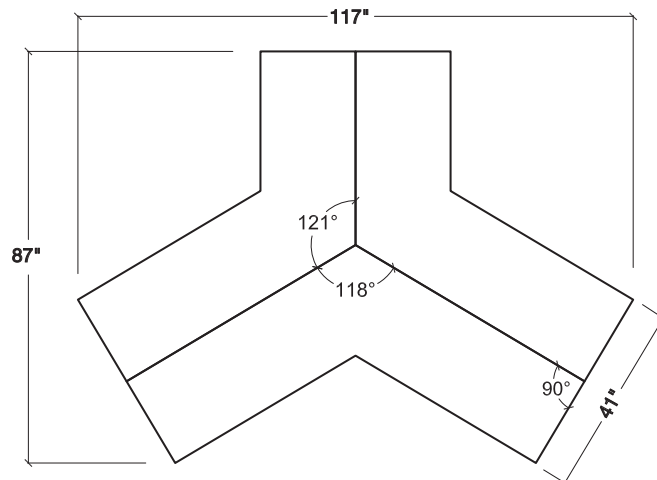
60° ARC



90° ARC

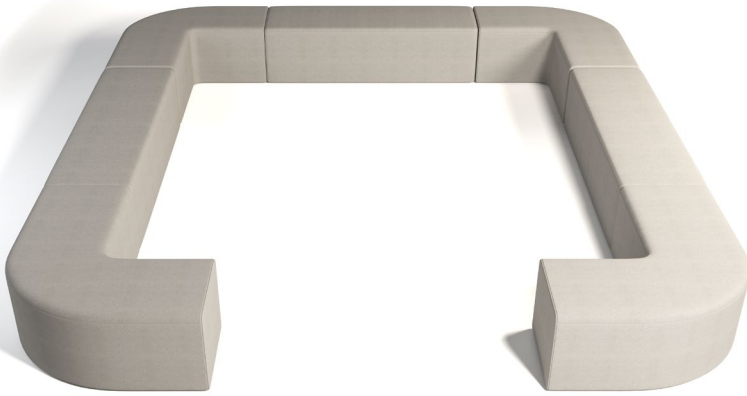


STAR

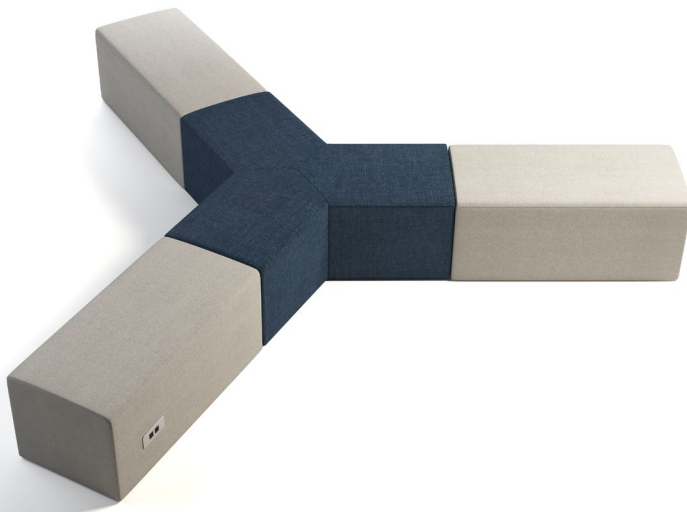
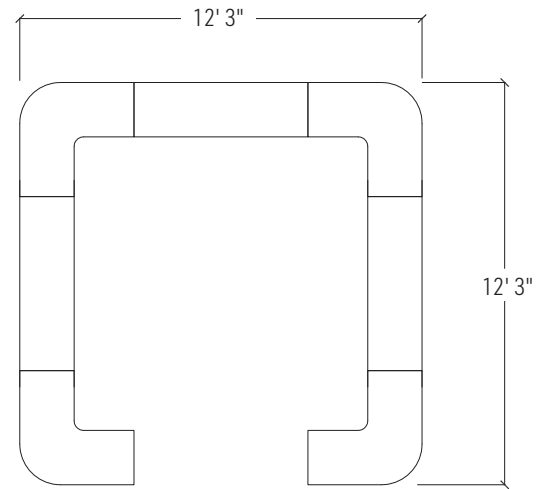


STAR GRANDE

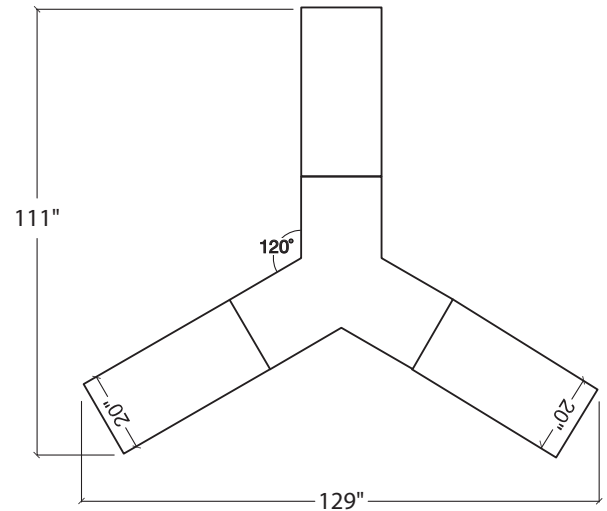
CONFIGURATIONS

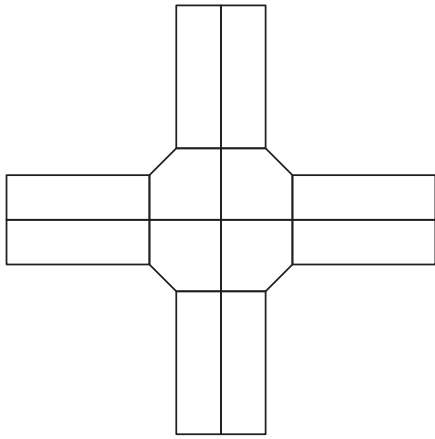


3 - THREE SEAT BENCHES WITH 4 - 90° ROUND CORNER UNITS

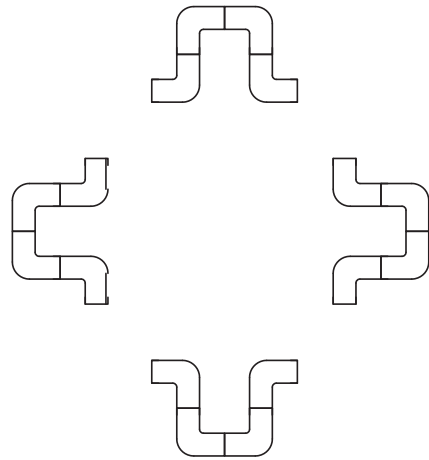


3 - TWO SEAT BENCHES WITH A SINGLE STAR UNIT

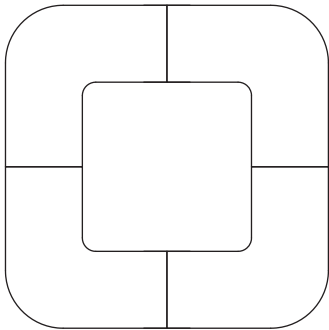




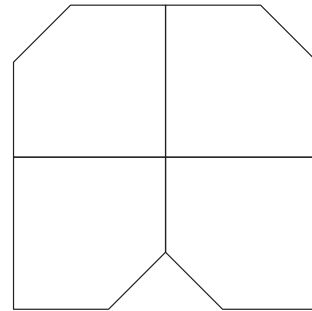
CROSS CORNER CLUSTER



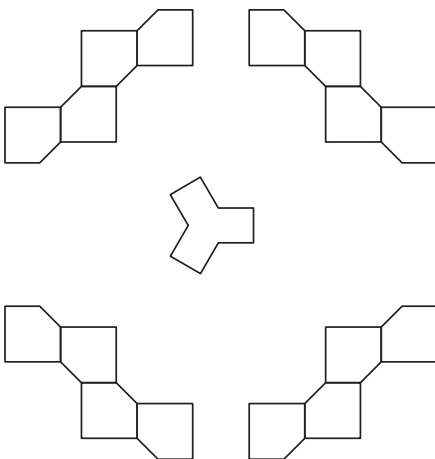
CLUSTER UNITS



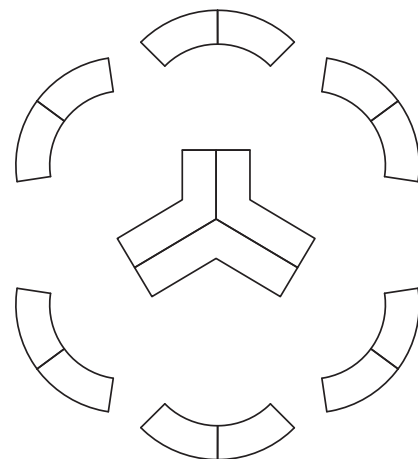
SQUARE CLUSTER



HORSE SHOE CLUSTER



HONEYCOMB CLUSTER



COLLABORATIVE CLUSTER