

**MINGLE**

The Mingle tables have multiple fun shapes that allow you a variety of configurations for any fun learning space. Mingle tables move up or down with pin-set legs, can gather for group tables for collaborative learning or separate into single tables, for personal use. It offers options like casters, ganging and power/data to give you the adaptability that works right for your space.



BOOMER



BOWED TRAPEZOID



TILTED SQUARE



ROUND



SQUARE



RECTANGLE

**ORDERING INFORMATION**

- |                               |                              |
|-------------------------------|------------------------------|
| 1) Series Name                | 6) Edge Style Code and Color |
| 2) Model Number               | 7) Optional Items            |
| 3) Size                       |                              |
| 4) Quantity                   |                              |
| 5) Laminate Selection and No. |                              |

**BASE SPECIFICATIONS**

**Table Height:** Table height range is 23.25" to 31.25" with glides, 26" to 34" with casters.

**Legs:** The Mingle offers adjustable tubular steel upper leg in brushed aluminum with a 2" diameter chrome lower. Adjustable height legs include a positive locking device that employ two set screws to secure the lower leg. These are adjustable via the included Allen-head setscrew and wrench.

**Plate:** 5-3/8" x 5-3/8" triangle and it is 1/8" thick

**Glides:** Premium ABS plastic adjustable glides

**Casters:** All models available with optional 3" dia. premium smooth rolling black plastic locking casters. Wire management not available.

**Assembly:** Mingle base is a completely welded one piece outer sleeve with pin adjustable insert, no tie-rod assembly. The top plate is welded to the vertical column. Leg mounts to tabletop with 1/4"-20 machine screws into metal inserts in top; NO WOOD SCREWS ARE USED.

**STANDARD BASE FINISHES**

**Metal Legs:** Brushed aluminum outer sleeve with a polished chrome inner adjustable lower leg

**TABLE TOP SPECIFICATIONS**

**Table Top**

Table top core is CARB Compliant 1.25" particle board. Laminate and phenolic backing are glued with water based adhesives. Tops have radius corners.

**COLOR / EDGE SELECTION**

**Laminate Selections**

ERG offers over 1000 standard laminate choices from Nevamar, Wilsonart, Formica and Pionite. Wood veneer is available in transparent stain colors - custom stain matching available for an upcharge.

**Edge Selections**

ERG offers a wide variety of table top edge materials including PVC, wood, aluminum and resin/urethane.

Special Edge Note: When ganging or butting tables together, ERG recommends using 3MM flat edge or flat wood edge. Square tables using **T-MOLD** edge will have a 3" radius on all corners.

**Table Edges**

All corners have a radius edge.

Edges available are:

- 2B (3MM solid colors)
- 3A (3MM woodgrain colors)
- 4B (exposed multi-ply flat).

**OPTIONS**

- CODE: GD3 - Flat Ganging Device for Café & Training Tables
- CODE: CAS3 - 3" Locking Casters - Black

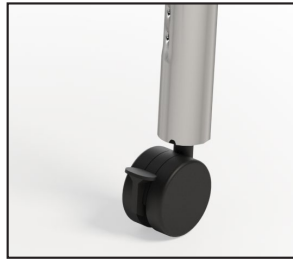
**DETAIL**



PIN HEIGHT ADJUSTMENT DETAIL



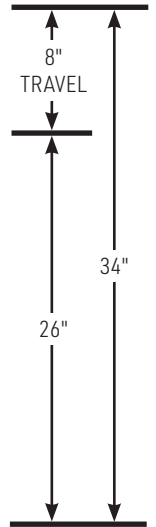
ADJUSTABLE GLIDES



OPTIONAL MOBILE LOCKING CASTERS

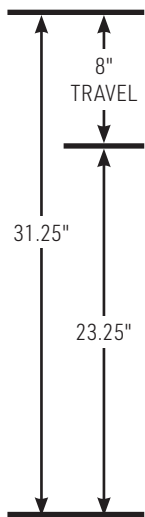
**CASTERS: TABLE HEIGHT RANGE**

Adjustable in 1" increments.  
NOTE: HEIGHT INCLUDES 1.25" TABLE TOP



**GLIDE: TABLE HEIGHT RANGE**

Adjustable in 1" increments.  
NOTE: HEIGHT INCLUDES 1.25" TABLE TOP



TILTED SQUARE  
TRAINING TABLE



**MODEL / DESCRIPTION / LIST PRICING**

**MINGLE | TRAINING | TILTED SQUARE**



Model Number	Table Top Size	Shpg. Wght	Legs	LAMINATE TOP EDGES		
				2B	3A	6Q
MGLTSQ	36 X 52	85	4	\$1167	\$1441	\$2568

**MINGLE | TRAINING | BOWED TRAPEZOID**

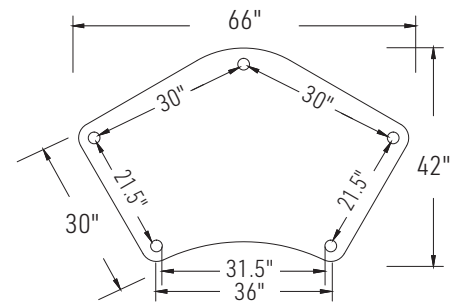
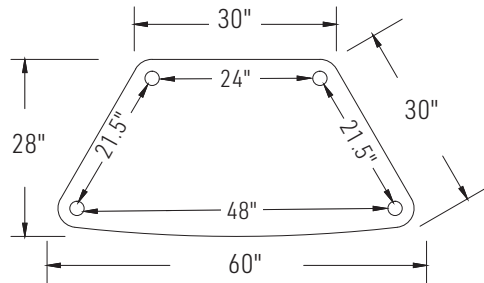
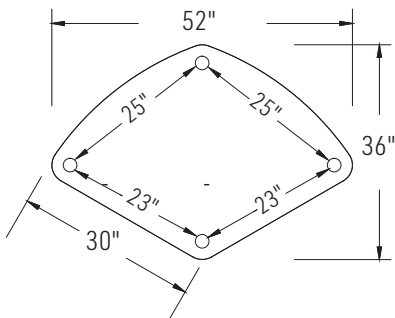


Model Number	Table Top Size	Shpg. Wght	Legs	LAMINATE TOP EDGES		
				2B	3A	6Q
MGLTZD	28 X 60	90	4	\$1185	\$1463	\$2606

**MINGLE | TRAINING | BOOMER**



Model Number	Table Top Size	Shpg. Wght	Legs	LAMINATE TOP EDGES		
				2B	3A	6Q
MGLBMR	42 X 66	102	5	\$1432	\$1760	\$3151



**OPTIONS**

Add upcharge to list price and code to model number

CAS3	3" Locking Casters - Black	\$34	ea.	GD3	Flat Ganging Device for Café & Training Tables	\$144	per pair
------	----------------------------	------	-----	-----	--	-------	----------



42" ROUND TRAINING TABLE



36" SQUARE TRAINING TABLE

**MODEL / DESCRIPTION / LIST PRICING**

**MINGLE | TRAINING | ROUND**



Model Number	Table Top Size	Shpg. Wght	Legs	LAMINATE TOP EDGES		
				2B	3A	6Q
MGL36D	36" Dia.	58	4	\$952	\$1137	\$2094
MGL42D	42" Dia.	72	4	\$1129	\$1385	\$2484
MGL48D	48" Dia.	88	4	\$1306	\$1612	\$2873

**MINGLE | TRAINING | SQUARE**



Model Number	Table Top Size	Shpg. Wght	Legs	LAMINATE TOP EDGES		
				2B	3A	6Q
MGL36S	36" Sq.	72	4	\$952	\$1137	\$2094
MGL42S	42" Sq.	90	4	\$1156	\$1415	\$2544

**OPTIONS**

Add upcharge to list price and code to model number

CAS3	3" Locking Casters - Black	\$34	ea.	GD3	Flat Ganging Device for Café & Training Tables	\$144	per pair
------	----------------------------	------	-----	-----	--	-------	----------



24X48 RECTANGLE  
TRAINING TABLE

**MODEL / DESCRIPTION / LIST PRICING**

**MINGLE | TRAINING | RECTANGLE**



RECTANGLE

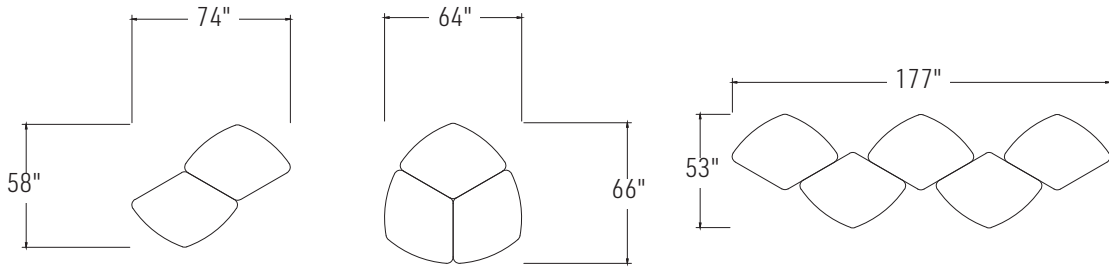
Model Number	Table Top Size	Shpg. Wght	Legs	LAMINATE TOP EDGES		
				2B	3A	6Q
MGL2436	24 X 36	61	4	\$896	\$1059	\$1971
MGL2448	24 X 48	70	4	\$941	\$1119	\$2070
MGL2460	24 X 60	79	4	\$985	\$1185	\$2168
MGL2472	24 X 72	88	4	\$1114	\$1335	\$2450
MGL3036	30 X 36	68	4	\$936	\$1115	\$2060
MGL3048	30 X 48	79	4	\$991	\$1191	\$2180
MGL3060	30 X 60	90	4	\$1045	\$1269	\$2300
MGL3072	30 X 72	102	4	\$1184	\$1430	\$2604
MGL3648	36 X 48	88	4	\$1053	\$1279	\$2316
MGL3660	36 X 60	102	4	\$1116	\$1367	\$2456
MGL3672	36 X 72	115	4	\$1263	\$1546	\$2780

**OPTIONS**

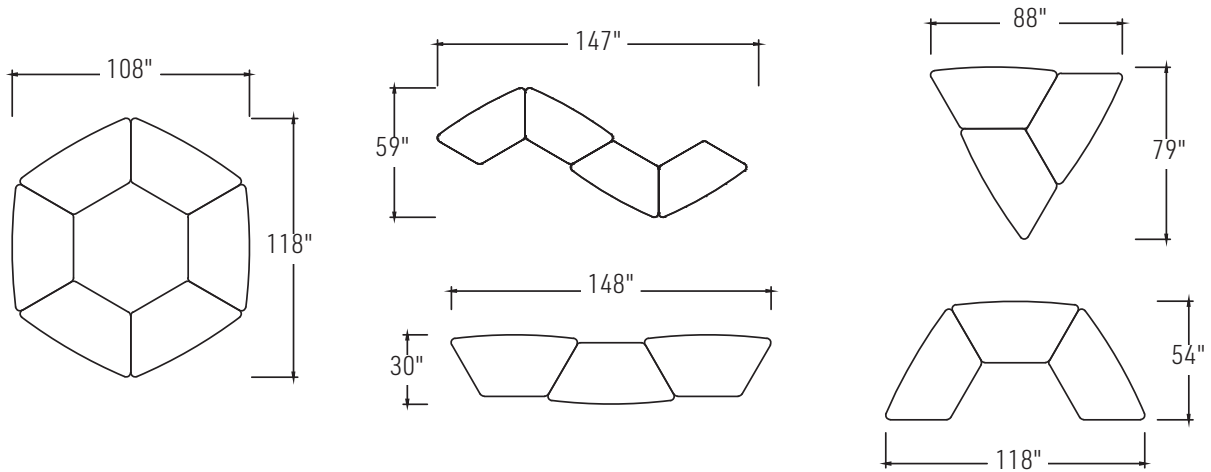
Add upcharge to list price and code to model number

CAS3	3" Locking Casters - Black	\$34	ea.	GD3	Flat Ganging Device for Café & Training Tables	\$144	per pair
------	----------------------------	------	-----	-----	--	-------	----------

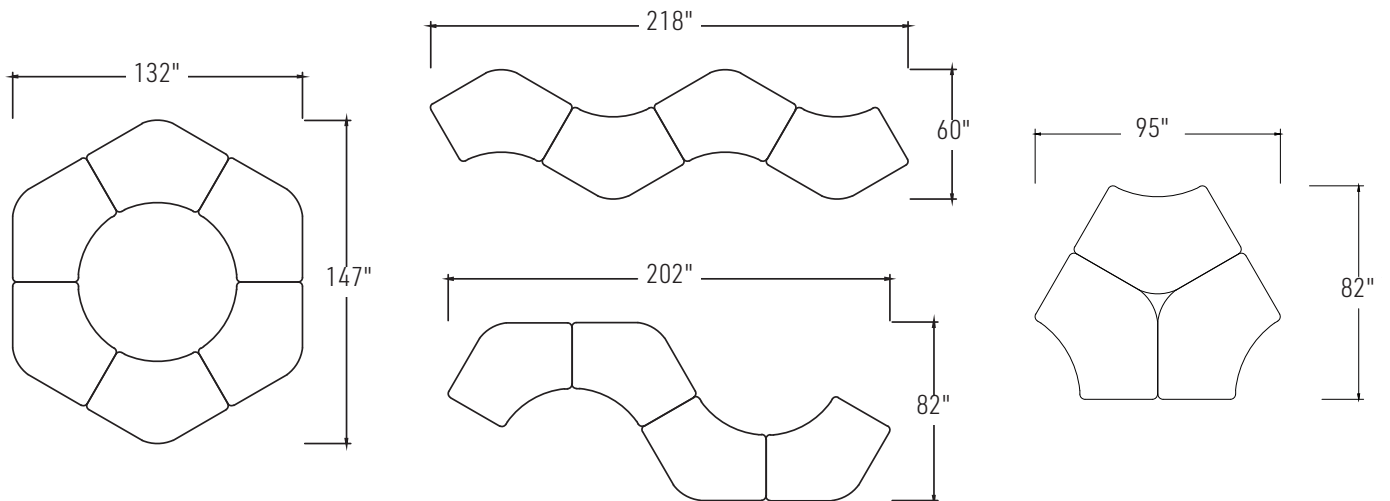
**TILTED SQUARE**



**TRAPEZOID**



**BOOMER**



**MULTI-SHAPED CONFIGURATIONS**

