

ARISTO

The Aristo collection of banquettes has a laminated back with a substantial laminate frame and plinth. The floating upholstered back gives it a unique look and balanced out by a considerable seat. The banquettes come as a single unit, as well as back-to-back, and is great for any student union, cafeteria or corporate lounge.



ARISTO BANQUETTE WITH TWO FABRIC OPTION AND RECESSED FRONT

ORDERING INFORMATION

- | | |
|--------------------------|-----------------------|
| 1) Series Name | 5) Laminate Selection |
| 2) Model Number | 6) Plinth Base Finish |
| 3) Quantity | 7) Optional Items |
| 4) Fabric Grade & Number | |

SOFT SEATING	WEIGHT LIMIT
1 Seat	500 lbs.
2 Seat	1000 lbs.
3 Seat	1500 lbs.



STANDARD BANQUETTE COMES WITH A FLUSH PLINTH BASE ON SIDES FOR GANGING, AND RECESSED FRONT.

GENERAL SPECIFICATIONS

Upholstery / Foam

Seat and back are covered in choice of fabric, vinyl, crypton, leather or COM. ERG uses only water based glues and adhesives in our upholstery process. All foam is fully bonded to frame. Seat cushions are 5" graded high resiliency (H.R.) block foam with back 2" (H.R.) foam, covered entirely with special bonded polyester fiber to protect final upholstery.

Frame Construction

The Aristo frame is made of laminate. ERG offers over 1000 standard laminate choices from Nevamar, Wilsonart, Formica and Pionite.

Base Details

Plinth Base: The standard recessed front base is available in a choice of laminate or unfinished so that you can add your own cove base or carpet. Note: when plinth base is ganged, there will be a 1/2" gap between plinth bases.

Anchoring

Aristo dining benches are easy to anchor to the floor. Floor mount instructions can be provided by customer service. Hardware for anchoring bench to the floor is not included.

Note:

Please allow extra fabric for repeat design.



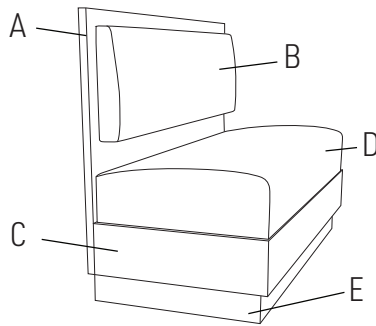
STANDARD GANGED PLINTH BASE, WITH 1/2" GAP BETWEEN BASES

OPTIONS

- CODE: FR - CAL 133 (TB 133) Fire Retardant
- CODE: MB -Moisture Barrier (up to 60" overall width)
- CODE: MB60 -Moisture Barrier (over 60" overall width)
- CODE: MBB -Moisture Barrier (up to 60" overall width Back-to-Back)
- CODE: MBB60 -Moisture Barrier (over 60" overall width Back-to-Back)
- CODE: 2FO - Two Fabric Option
- CODE: CO - Clean Out (overall width up to 60")
- CODE: CO1 - Clean Out (overall width over 60")
- CODE: COB - Clean Out Back-to-Back (overall width up to 60")
- CODE: CO1B - Clean Out Back-to-Back (overall width over 60")
- CODE: PIP - Piping Horizontally and Vertically (add 1/2 yd COM)
- CODE: UFB - Unfinished Plinth Base
- CODE: RB1 - Recessed Plinth Base (1 Side only)
- CODE: RB2 - Recessed Plinth Base (2 Sides)
- CODE: GBP - Ganging Bracket for Plinth Base



OPTIONAL RECESSED PLINTH BASE
AVAILABLE, ON ONE OR TWO SIDES.



- A - Frame Back Panel - Choice of Laminate
- B - Seat Back - Choice of fabrics
- C - Frame Seat - Choice of Laminate
- D - Seat - Choice of fabrics
- E - Recessed Base - Specify unfinished or laminate

DIMENSIONS	Straight Banquette	Back to Back Banquette
Seat Depth:	20"	20"
Seat Height:	18"	18"
Overall Depth:	24"	47"
Overall Width:	48", 60", 72"	48", 60", 72"
Overall Height:	34"	34"
Qty./Wt.:	1 ea./150 lbs.	1 ea./300 lbs.



ARISTO BACK TO BACK
BANQUETTE

MODEL / DESCRIPTION / LIST PRICING



4850 48" Banquette

COM Yardage: Total: 4.5 Yds. / Back: 2 Yds. / Seat: 2.5 Yds.

COM	GR1	GR2	GR3	GR4	GR5	GR6	GR7	GR8	GR9	GR10	LEA
\$5876	\$6285	\$6536	\$6797	\$7069	\$7351	\$7645	\$7951	\$8268	\$8600	\$8945	\$10571

4852 60" Banquette

COM Yardage: Total: 5.75 Yds. / Back: 2.75 Yds. / Seat: 3 Yds.

COM	GR1	GR2	GR3	GR4	GR5	GR6	GR7	GR8	GR9	GR10	LEA
\$8672	\$9278	\$9652	\$10036	\$10438	\$10854	\$11288	\$11742	\$12210	\$12698	\$13207	\$15609

4854 72" Banquette

COM Yardage: Total: 6.5 Yds. / Back: 3 Yds. / Seat: 3.5 Yds.

COM	GR1	GR2	GR3	GR4	GR5	GR6	GR7	GR8	GR9	GR10	LEA
\$11746	\$12569	\$13072	\$13593	\$14137	\$14704	\$15292	\$15902	\$16540	\$17202	\$17888	\$21144



4856 48" Back-to-Back Banquette

COM Yardage: Total: 9 Yds. / Back: 4 Yds. / Seat: 5 Yds.

COM	GR1	GR2	GR3	GR4	GR5	GR6	GR7	GR8	GR9	GR10	LEA
\$11159	\$11939	\$12418	\$12912	\$13430	\$13967	\$14527	\$15107	\$15712	\$16339	\$16994	\$20086

4858 60" Back-to-Back Banquette

COM Yardage: Total: 11.5 Yds. / Back: 5.5 Yds. / Seat: 6 Yds.

COM	GR1	GR2	GR3	GR4	GR5	GR6	GR7	GR8	GR9	GR10	LEA
\$16476	\$17628	\$18336	\$19067	\$19830	\$20623	\$21449	\$22308	\$23198	\$24128	\$25091	\$29657

4860 72" Back-to-Back Banquette

COM Yardage: Total: 13 Yds. / Back: 6 Yds.. / Seat: 7 Yds.

COM	GR1	GR2	GR3	GR4	GR5	GR6	GR7	GR8	GR9	GR10	LEA
\$22318	\$23882	\$24835	\$25830	\$26865	\$27939	\$29057	\$30217	\$31427	\$32683	\$33990	\$40173

OPTIONS

Add upcharge to list price and code to model number

FR	CAL 133 (TB 133) Fire Retardant per yard	\$118	/ yd	COB	Clean Out Back-to-Back (overall width up to 60")	\$654	
MB	Moisture Barrier (up to 60" overall width)	\$164	ea.	CO1B	Clean Out Back-to-Back (overall width over 60")	\$1007	
MB60	Moisture Barrier (over 60" overall width)	\$262	ea.	PIP	Piping Horizontally and Vertically (add 1/2 yd COM)	\$79	per unit
MBB	Moisture Barrier - up to 60" width (Back-to-Back)	\$327	ea.	UFB	Unfinished Plinth Base	Deduct \$80	
MBB60	Moisture Barrier - over 60" width (Back-to-Back)	\$522	ea.	RB1	Recessed Base, 1 side	\$145	
2FO	Two Fabric Option	\$131		RB2	Recessed Base, 2 sides	\$287	
CO	Clean Out (overall width up to 60")	\$327		GBP	Ganging Bracket for Plinth Base	\$286	per pair
CO1	Clean Out (overall width over 60")	\$503					