



FLIP-TOP T BASE W/ OPTIONAL WHITE CASTERS



FLIPPED-UP AND NESTED

**ORDERING INFORMATION**

- |                            |                               |
|----------------------------|-------------------------------|
| 1) Series Name             | 6) Laminate Selection and No. |
| 2) Model Number            | 7) Edge Style Code and Color  |
| 3) Size                    | 8) Wood Species               |
| 4) Quantity                | 9) Wood Stain Color           |
| 5) Powder Coat Frame Color | 10) Optional Items            |

**FLIGHT TRAINING BASE SPECIFICATIONS**

**Flight T Base**

|                     |  |
|---------------------|--|
| <b>Table Height</b> | Table height is 29" to 30" depending on table top specified.   |
| <b>Column</b>       | 2" round 14 gauge  |
| <b>Base</b>         | Laser-cut 12 gauge stamped steel plate – 16", 22" and 26" spreads  |
| <b>Plate</b>        | 6" x 8" square   |
| <b>Glides</b>       | Adjustable zinc rubber cushion steel glides  |
| <b>Assembly</b>     | Top plate is welded to the vertical column and the vertical column is welded to the horizontal base. No tie rod assembly. Base mounts to tabletop with ¼-20 x 1" machine screws into metal inserts in top. Stretcher steel bars are used on tops 72" and longer. |
| <b>Finish</b>       | Choice of standard powder coat colors – See "Color Selections" brochure  |

**Flip-Top Mechanism**

Aluminum die-cast top plate and aluminum housing with single handle cable release.

**Folding Mechanism**

Lightweight nylon injection molded housing, cast aluminum pivot and metal locking slider. Rigid, taper locking design is activated by single lever that also locks in folded position.

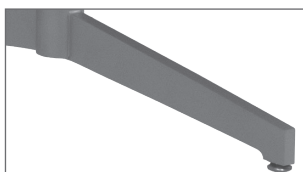
**TABLE TOP SPECIFICATIONS**

**Table Tops**

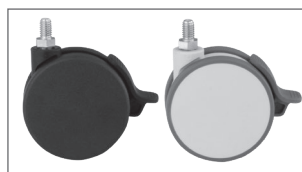
Table top core is CARB Phase I & Phase II Compliant. Laminate, wood veneer and phenolic backing are glued with water based adhesives.

**Ultra-Lightweight Table Tops**

Ultra-lightweight tables have an exceptionally strong manufactured MDF top made from 100% recovered and recycled wood fiber with at least 25% post-industrial recycled fiber; the balance consisting of recovered waste fiber. Ultra-light tables are 18% lighter than standard tables.



STEEL GLIDE  
DETAIL



CASTERS IN  
BLACK  
OR WHITE



FLIP-TOP  
MECHANISM

**FINISHES**

**Laminate/Veneer Selections**

ERG offers over 1000 standard laminate choices from Nevamar, Wilsonart, Formica and Pionite. Wood veneer is available in transparent stain colors - custom stain matching available.

**Edge Selections:**

ERG offers a wide variety of table top edge materials including PVC, wood, aluminum and resin/urethane.

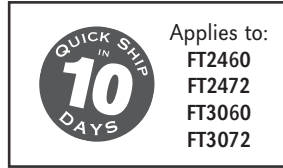
Special Edge Note: When ganging or butting tables together, ERG recommends using 3MM flat edge or flat wood edge. Square tables using PVC **T-MOLD** edge will have a 2" radius on all corners..

**OPTIONS**

- CODE: FLIP-T - Flip-Top mechanism per table
- CODE:ASB - Anti-Sag Bar for tables under 72"
- CODE: FOLD - Lightweight Folding Leg Mechanism per table
- CODE: CAS3 - 3" Locking Casters - Black
- CODE: CAS-W - 3" Locking Casters – White
- CODE: ULW - Ultra-lightweight table top
- CODE: GD - Ganging per table
- CODE: RAD - 3" Radius Corners for 3MM Edge
- CODE: FTBH – Flip top support bar for rectangular bar height tables.  
(Maximum table top size 30x72)
- TABLE ACCESSORIES – Modesty Panels, Bridges, Grommets, Wire Management, Power & Communication Options, Table Dollies – see "Accessories" section in price list

Note: When ordering modesty panel, table and panel must have 3MM edge.





**MODEL / DESCRIPTION / LIST PRICING**

**FLIGHT | RECTANGLE**



| Model Number | Table Top Size | Shpg. Wght. | Base Spread | LAMINATE TOP ASSORTED EDGES |        |        |        |        |        |        |        | VENEER TOP |  |
|--------------|----------------|-------------|-------------|-----------------------------|--------|--------|--------|--------|--------|--------|--------|------------|--|
|              |                |             |             | GRP 1                       | GRP 2  | GRP 3  | GRP 4  | GRP 5  | GRP 6  | GRP 7  | GRP 8  | GRP 9      |  |
| FT1836       | 18 X 36        | 54          | 2-16T       | \$582                       | \$595  | \$681  | \$755  | \$905  | \$1029 | \$1176 | \$1570 | \$1746     |  |
| FT1848       | 18 X 48        | 61          | 2-16T       | \$615                       | \$628  | \$726  | \$810  | \$979  | \$1118 | \$1285 | \$1675 | \$1844     |  |
| FT1860       | 18 X 60        | 68          | 2-16T       | \$646                       | \$662  | \$772  | \$864  | \$1052 | \$1208 | \$1395 | \$1784 | \$1940     |  |
| FT1872       | 18 X 72        | 75          | 2-16T       | \$803                       | \$822  | \$942  | \$1044 | \$1251 | \$1422 | \$1628 | \$2167 | \$2410     |  |
| FT1884       | 18 X 84        | 81          | 2-16T       | \$857                       | \$875  | \$1015 | \$1135 | \$1372 | \$1572 | \$1809 | \$2345 | \$2569     |  |
| FT1896       | 18 X 96        | 88          | 2-16T       | \$889                       | \$911  | \$1061 | \$1189 | \$1446 | \$1661 | \$1917 | \$2453 | \$2668     |  |
| FT2436       | 24 X 36        | 61          | 2-22T       | \$678                       | \$692  | \$799  | \$889  | \$1070 | \$1221 | \$1403 | \$1841 | \$2032     |  |
| FT2448       | 24 X 48        | 70          | 2-22T       | \$717                       | \$736  | \$855  | \$958  | \$1164 | \$1335 | \$1541 | \$1976 | \$2154     |  |
| FT2460       | 24 X 60        | 79          | 2-22T       | \$758                       | \$777  | \$912  | \$1028 | \$1257 | \$1449 | \$1679 | \$2114 | \$2278     |  |
| FT2472       | 24 X 72        | 88          | 2-22T       | \$923                       | \$945  | \$1094 | \$1221 | \$1477 | \$1688 | \$1942 | \$2526 | \$2772     |  |
| FT2484       | 24 X 84        | 97          | 2-22T       | \$985                       | \$1010 | \$1180 | \$1327 | \$1618 | \$1861 | \$2152 | \$2732 | \$2958     |  |
| FT2496       | 24 X 96        | 106         | 2-22T       | \$1026                      | \$1052 | \$1237 | \$1395 | \$1710 | \$1973 | \$2289 | \$2868 | \$3083     |  |
| FT3036       | 30 X 36        | 68          | 2-22T       | \$714                       | \$731  | \$850  | \$952  | \$1154 | \$1325 | \$1528 | \$1964 | \$2143     |  |
| FT3048       | 30 X 48        | 79          | 2-22T       | \$763                       | \$782  | \$919  | \$1034 | \$1268 | \$1462 | \$1695 | \$2130 | \$2291     |  |
| FT3060       | 30 X 60        | 90          | 2-22T       | \$811                       | \$834  | \$986  | \$1119 | \$1380 | \$1600 | \$1862 | \$2293 | \$2441     |  |
| FT3072       | 30 X 72        | 102         | 2-22T       | \$986                       | \$1010 | \$1182 | \$1328 | \$1619 | \$1862 | \$2153 | \$2734 | \$2959     |  |
| FT3084       | 30 X 84        | 113         | 2-22T       | \$1057                      | \$1083 | \$1280 | \$1446 | \$1780 | \$2058 | \$2393 | \$2970 | \$3173     |  |
| FT3096       | 30 X 96        | 124         | 2-22T       | \$1105                      | \$1136 | \$1347 | \$1529 | \$1893 | \$2196 | \$2559 | \$3134 | \$3321     |  |
| FT3648       | 36 X 48        | 88          | 2-26T       | \$839                       | \$861  | \$1016 | \$1150 | \$1416 | \$1638 | \$1904 | \$2360 | \$2519     |  |
| FT3660       | 36 X 60        | 102         | 2-26T       | \$896                       | \$921  | \$1098 | \$1248 | \$1549 | \$1799 | \$2100 | \$2555 | \$2694     |  |
| FT3672       | 36 X 72        | 115         | 2-26T       | \$1079                      | \$1106 | \$1303 | \$1469 | \$1806 | \$2085 | \$2421 | \$3023 | \$3241     |  |
| FT3684       | 36 X 84        | 129         | 2-26T       | \$1159                      | \$1189 | \$1413 | \$1603 | \$1987 | \$2305 | \$2687 | \$3286 | \$3478     |  |
| FT3696       | 36 X 96        | 142         | 2-26T       | \$1215                      | \$1250 | \$1493 | \$1701 | \$2119 | \$2467 | \$2884 | \$3480 | \$3653     |  |



Note: FTBH option is required with STH option when ordering rectangle flip-top tables over 29" table height.

**OPTIONS**

Add upcharge to list price and code to model number

|        |  |           |
|--------|--|-----------|
| FLIP-T | Flip-Top per table                               | \$358     |
| ASB    | Anti-Sag Bar for tables under 72"                | \$80      |
| FOLD   | Lightweight Folding Leg Mechanism per table      | \$298     |
| CAS3   | 3" Locking Casters - Black (2 Casters per T-leg) | \$25 each |
| CAS-W  | 3" Locking Casters - White                       | \$30 each |

|      |  |                 |
|------|--|-----------------|
| ULW  | Ultra-lightweight table top                | \$190           |
| GD   | Ganging per table                          | \$95            |
| RAD  | 3" Radius Corners for 3MM Edge             | \$200 per table |
| FTBH | All T-base bar height tables with flip top | \$300           |



TRAPEZOID TOP WITH FLIP TOP AND CASTER OPTIONS

**MODEL / DESCRIPTION / LIST PRICING**

**FLIGHT | HALF-ROUND**



HALF ROUND

| Model Number | Table Top Size | Shpg. Wght. | Base Spread | LAMINATE TOP ASSORTED EDGES |        |        |        |        |        |        |        | VENEER TOP |  |
|--------------|----------------|-------------|-------------|-----------------------------|--------|--------|--------|--------|--------|--------|--------|------------|--|
|              |                |             |             | GRP 1                       | GRP 2  | GRP 3  | GRP 4  | GRP 5  | GRP 6  | GRP 7  | GRP 8  | GRP 9      |  |
| FTHR2448     | 24 X 48        | 70          | 2-16T       | \$1183                      | \$1238 | \$1462 | \$1601 | \$2020 | \$2371 | \$2789 | \$3313 | \$3451     |  |
| FTHR3060     | 30 X 60        | 90          | 2-22T       | \$1349                      | \$1416 | \$1678 | \$1841 | \$2334 | \$2744 | \$3235 | \$3806 | \$3940     |  |
| FTHR3672     | 36 X 72        | 115         | 2-26T       | \$1500                      | \$1577 | \$1887 | \$2082 | \$2662 | \$3149 | \$3729 | \$4292 | \$4376     |  |

**FLIGHT | TRAPEZOID**



TRAPEZOID

| Model Number | Table Top Size | Shpg. Wght. | Base Spread | LAMINATE TOP ASSORTED EDGES |        |        |        |        |        |        |        | VENEER TOP |  |
|--------------|----------------|-------------|-------------|-----------------------------|--------|--------|--------|--------|--------|--------|--------|------------|--|
|              |                |             |             | GRP 1                       | GRP 2  | GRP 3  | GRP 4  | GRP 5  | GRP 6  | GRP 7  | GRP 8  | GRP 9      |  |
| FTT2448      | 24 x 48        | 70          | 2-16T       | \$1010                      | \$1051 | \$1210 | \$1308 | \$1604 | \$1852 | \$2149 | \$2724 | \$2953     |  |
| FTT2460      | 24 x 60        | 79          | 2-22T       | \$1071                      | \$1111 | \$1268 | \$1367 | \$1662 | \$1908 | \$2204 | \$2851 | \$3127     |  |
| FTT3060      | 30 x 60        | 90          | 2-22T       | \$1115                      | \$1159 | \$1330 | \$1438 | \$1759 | \$2028 | \$2351 | \$2995 | \$3256     |  |
| FTT3672      | 36 x 72        | 115         | 2-26T       | \$1307                      | \$1365 | \$1594 | \$1736 | \$2166 | \$2523 | \$2952 | \$3601 | \$3816     |  |

Note: FTBH option is required with STH option when ordering rectangle flip-top tables over 29" table height.

**OPTIONS**

Add upcharge to list price and code to model number

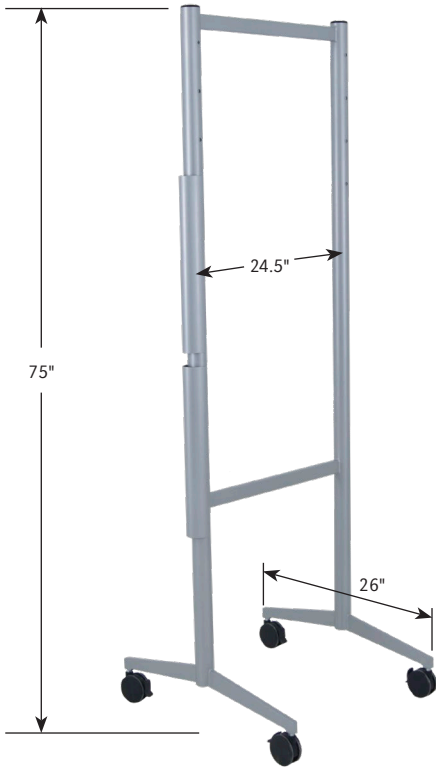
|        |  |           |
|--------|--|-----------|
| FLIP-T | Flip-Top per table                               | \$358     |
| ASB    | Anti-Sag Bar for tables under 72"                | \$80      |
| FOLD   | Lightweight Folding Leg Mechanism per table      | \$298     |
| CAS3   | 3" Locking Casters - Black (2 Casters per T-leg) | \$25 each |

|       |  |           |
|-------|--|-----------|
| CAS-W | 3" Locking Casters - White                 | \$30 each |
| ULW   | Ultra-lightweight table top                | \$190     |
| GD    | Ganging per table                          | \$95      |
| FTBH  | All T-base bar height tables with flip top | \$300     |

**FLIGHT TV / MONITOR STAND**

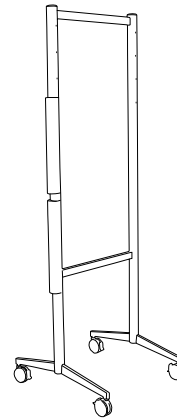
Complement and save space in any classroom or training area with the sleek Flight Mobile TV/Monitor Stand. The frame is constructed with 2" steel tubing and finished in any of our powder coat colors. 3" mobile casters are included.

Note: Max TV Size 40"



UNIVERSAL TV MOUNT INSERTS

| DIMENSIONS           | TV / Monitor Stand |
|----------------------|--------------------|
| Overall Width:       | 24.5"              |
| Overall Height:      | 75"                |
| Base Spread:         | 26"                |
| Qty./Wt. per carton: | 1 ea./40 lbs.      |



**FTS 100** Flight TV/Monitor Stand

3" Casters Included

**\$953**

FLIGHT TV / MONITOR STAND



BRIO FLIP CHAIRS, FLIGHT TRAINING TABLES AND TV STAND