

**MINGLE**

The Mingle tables have multiple fun shapes that allow you a variety of configurations for any fun learning space. Mingle tables move up or down with pin-set legs, can gather for group tables for collaborative learning or separate into single tables, for personal use. It offers options like casters, ganging and power/data to give you the adaptability that works right for your space.



BOOMER



BOWED TRAPEZOID



TILTED SQUARE



ROUND



SQUARE



RECTANGLE

**ORDERING INFORMATION**

- 1) Series Name
- 2) Model Number
- 3) Size
- 4) Quantity
- 5) Laminate Selection and No.
- 6) Edge Style Code and Color
- 7) Optional Items

**FINISHES**

**Laminate Selections**

ERG offers over 1000 standard laminate choices from Nevamar, Wilsonart, Formica and Pionite.

**Table Edges**

All corners have a radius edge.

Edges available are:

- 2B (3MM solid colors)
- 3A (3MM woodgrain colors)
- 4B (exposed multi-ply flat).

**Table Leg Finish**

Mingle table legs have a brushed aluminum outer sleeve with a polished chrome inner adjustable lower leg.

**TABLE TOP SPECIFICATIONS**

- Table Top** Table top core is CARB Compliant 1.25" particle board. Laminate and phenolic backing are glued with water based adhesives. Tops have radius corners.
- Table Height** Table height range is 24" to 32" with glides, 26" to 34" with casters.
- Legs** The Mingle offers adjustable tubular steel upper leg in brushed aluminum with a 2" diameter chrome lower. Adjustable height legs include a positive locking device that employ two set screws to secure the lower leg. These are adjustable via the included Allen-head setscrew and wrench.
- Plate** 5-3/8" x 5-3/8" triangle and it is 1/8" thick.
- Glides** All legs come standard with premium ABS plastic adjustable glides. Standard with Wire management.
- Casters** All models available with optional 2" dia. premium smooth rolling black plastic locking casters. Wire management not available.
- Assembly** Mingle base is a completely welded one piece outer sleeve with pin adjustable insert, no tie-rod assembly. The top plate is welded to the vertical column. Leg mounts to tabletop with 1/4-20 machine screws into metal inserts in top; NO WOOD SCREWS ARE USED.

**OPTIONS AND ADJUSTMENT**

- CODE: GD - Ganging
- CODE: CAS2 - 2" Casters

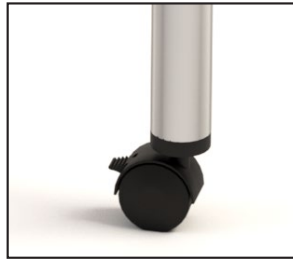
**DETAIL**



PIN HEIGHT ADJUSTMENT DETAIL



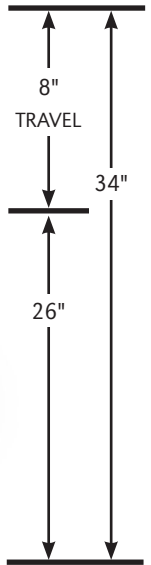
ADJUSTABLE GLIDES



OPTIONAL MOBILE LOCKING CASTERS

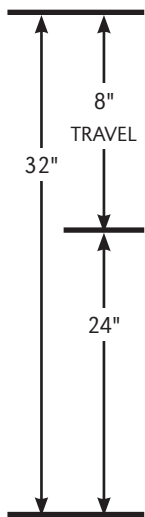
**CASTERS: TABLE HEIGHT RANGE**

Adjustable in 1" increments.  
NOTE: HEIGHT INCLUDES 1.25" TABLE TOP



**GLIDE: TABLE HEIGHT RANGE**

Adjustable in 1" increments.  
NOTE: HEIGHT INCLUDES 1.25" TABLE TOP



**MODEL / DESCRIPTION / LIST PRICING**

**MINGLE | TILTED SQUARE**



Model Number	Table Top Size	Shpg. Wght	Legs	LAMINATE TOP EDGES		
				2B	3A	4B
MGLTSQ	36 X 52	85	4	\$885	\$1040	\$1173

**MINGLE | BOWED TRAPEZOID**

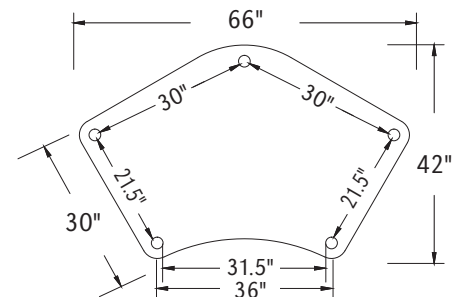
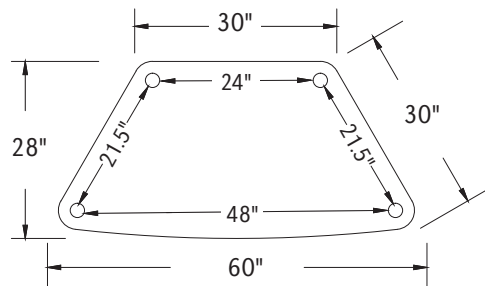
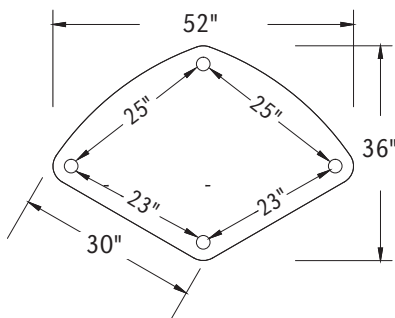


Model Number	Table Top Size	Shpg. Wght	Legs	LAMINATE TOP EDGES		
				2B	3A	4B
MGLTZD	28 X 60	90	4	\$898	\$1056	\$1191

**MINGLE | BOOMER**



Model Number	Table Top Size	Shpg. Wght	Legs	LAMINATE TOP EDGES		
				2B	3A	4B
MGLBMR	42 X 66	102	5	\$1086	\$1270	\$1428



**OPTIONS**

Add upcharge to list price and code to model number

CAS2	2" Casters	\$25 ea.	GD	Ganging per table	\$95
------	------------	----------	----	-------------------	------

**MODEL / DESCRIPTION / LIST PRICING**



**MINGLE | ROUND TOP**

Model Number	Table Top Size	Shpg. Wght	Legs	LAMINATE TOP EDGES		
				2B	3A	4B
MGL36D	36" Dia.	58	4	\$721	\$820	\$904
MGL42D	42" Dia.	72	4	\$856	\$1000	\$1124
MGL48D	48" Dia.	88	4	\$989	\$1164	\$1313



**MINGLE | SQUARE TOP**

Model Number	Table Top Size	Shpg. Wght	Legs	LAMINATE TOP EDGES		
				2B	3A	4B
MGL36S	36" Sq.	72	4	\$721	\$820	\$904
MGL42S	42" Sq.	90	4	\$877	\$1021	\$1145

**OPTIONS**

Add upcharge to list price and code to model number

CAS2	2" Casters	\$25 ea.	GD	Ganging per table	\$95
------	------------	----------	----	-------------------	------

**MODEL / DESCRIPTION / LIST PRICING**

**MINGLE | RECTANGLE TOP**



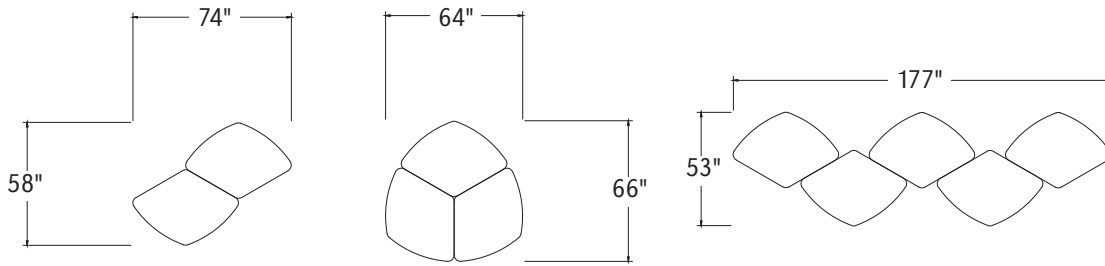
Model Number	Table Top Size	Shpg. Wght	Legs	LAMINATE TOP EDGES		
				2B	3A	4B
MGL2436	24 X 36	61	4	\$679	\$764	\$837
MGL2448	24 X 48	70	4	\$713	\$809	\$892
MGL2460	24 X 60	79	4	\$747	\$855	\$947
MGL2472	24 X 72	88	4	\$844	\$963	\$1066
MGL3036	30 X 36	68	4	\$710	\$805	\$887
MGL3048	30 X 48	79	4	\$751	\$860	\$953
MGL3060	30 X 60	90	4	\$792	\$915	\$1020
MGL3072	30 X 72	102	4	\$897	\$1033	\$1150
MGL3648	36 X 48	88	4	\$798	\$923	\$1029
MGL3660	36 X 60	102	4	\$846	\$987	\$1108
MGL3672	36 X 72	115	4	\$958	\$1115	\$1249

**OPTIONS**

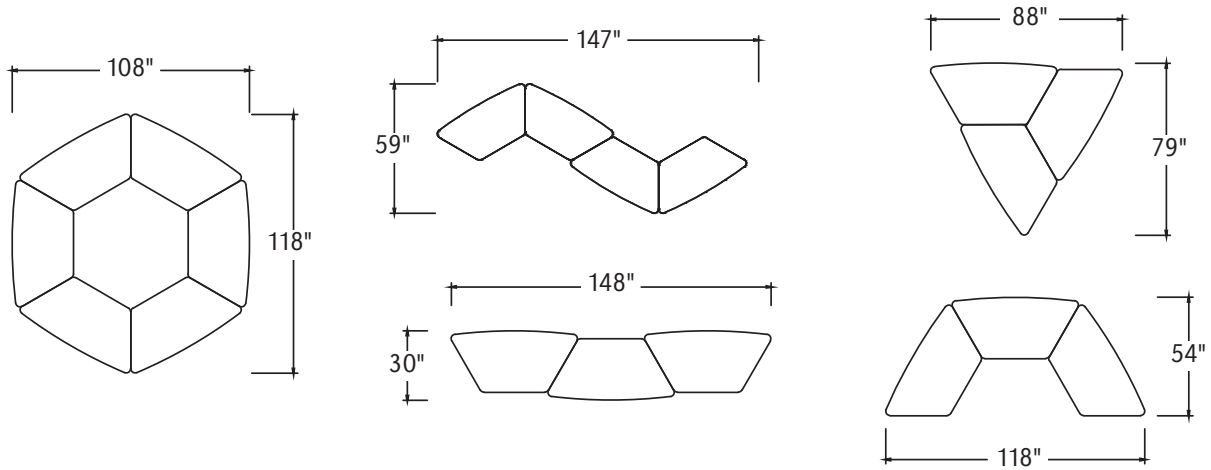
Add upcharge to list price and code to model number

CAS2	2" Casters	\$25 ea.	GD	Ganging per table	\$95
------	------------	----------	----	-------------------	------

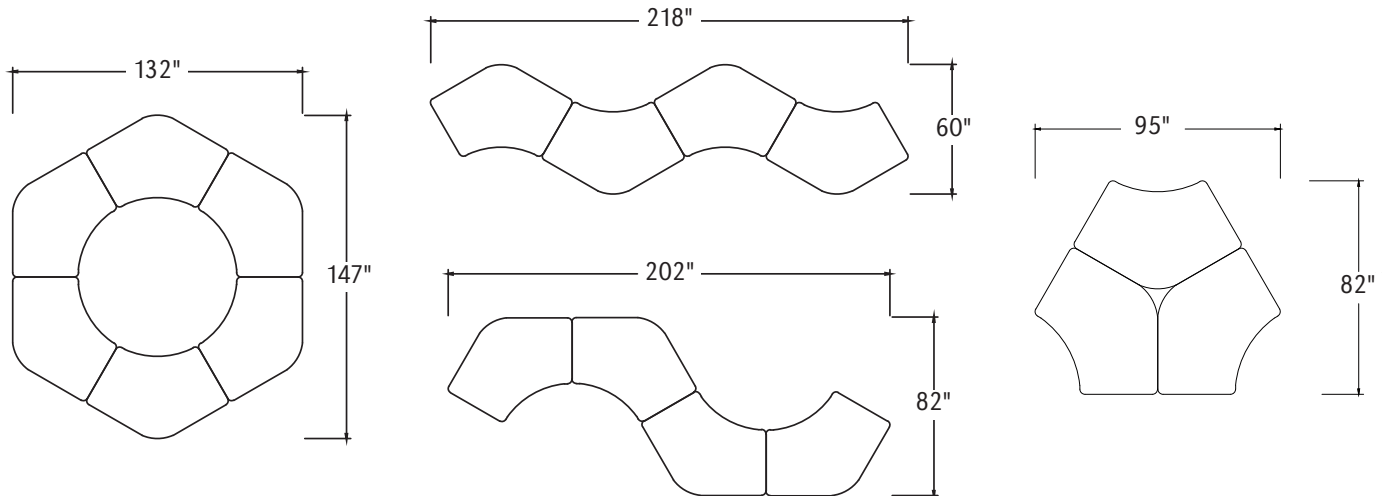
**TILTED SQUARE**



**TRAPEZOID**



**BOOMER**



**MULTI-SHAPED CONFIGURATIONS**

