



**POST TABLE OF CONTENTS**

Post Cafe/Training Specs .....	2
Post Cafe Pricing .....	3
Post Training Pricing .....	4
Post Shapes Pricing .....	5
Post Folding Pricing.....	6
Post Conference Specs .....	7
Post Conference Pricing .....	8
Post Jr. Specs .....	9
Post Jr Pricing.....	10



STANDARD ROUND POST LEG



OPTIONAL SQUARE POST LEG

## ORDERING INFORMATION

- |                          |                               |
|--------------------------|-------------------------------|
| 1) Series Name           | 6) Laminate Selection and No. |
| 2) Model Number          | 7) Edge Style Code and Color  |
| 3) Size                  | 8) Optional Items             |
| 4) Quantity              |                               |
| 5) Leg Powder Coat Color |                               |

## POST-ROXBY SPECIFICATIONS

### Post Base

- Table Height** Table height is 29" to 30" depending on table top specified.
- Legs** The Post leg is made with 2", 14 gauge steel tubing. Round leg is standard, square leg is optional.
- Plate** 2" x 4" or 8" x 8" stamped metal plate.
- Glides** Factory installed 1.25" industrial strength adjustable poly steel glides are standard.
- Assembly** Post base is a completely welded one piece base, no tie-rod assembly. The top plate is welded to the vertical column. Base mounts to tabletop with 1/4-20 x 1" machine screws into metal inserts in top; **NO WOOD SCREWS ARE USED.**

### Table Tops

Table top core is CARB Compliant 1.25" particle board. Laminate and phenolic backing are glued with water based adhesives.

### Easy-Fold Mechanism

Lightweight, heavy-duty, and very easy to operate. On folding models, lightweight designer-styled mechanism offers soft visual aesthetics ("non-industrial look"), consists of a nylon injection molded housing, cast aluminum pivot and metal locking slider. Rigid, taper locking design is activated by single lever that also locks in folded position. Legs fold flat and can be stored horizontally. ANSI/BIFMA tested. Round legs are only available on folding.

## FINISHES

### Table Leg Finish

Post table legs are available in all standard powder coat colors. Round leg is available with optional polished chrome.

### Laminate/Veneer Selections

ERG offers over 1000 standard laminate choices from Nevamar, Wilsonart, Formica and Pionite. Wood veneer is available in transparent stain colors - custom stain matching available.

### Edge Selection

ERG offers a wide variety of table top edge materials including PVC, wood, aluminum and resin/urethane. Refer to "Table Edges and Profiles" at beginning of "Tables" section.

## OPTIONS

- CODE: SL - 2" Square Post Legs
- CODE: CAS3 - 3" Black Locking Casters
- CODE: GD - Ganging
- CODE: STH - Special Table Height, for any table height other than 29"
- CODE: PC - Polished Chrome Legs (round leg only)
- CODE: RAD - 3" Radius Corners for 3MM Edge
- CODE: FTBH - Flip Top Bar Height - Crossbar
- TABLE ACCESSORIES - Modesty Panels, Bridges, Grommets, Wire Management, Power & Communication Options, Table Dollies - See accessories online under the 'Products' tab

Note: When ordering modesty panel, table and panel must have 3MM edge.



Standard Round Leg



Optional Square Leg



Optional Locking Casters

**MODEL / DESCRIPTION / LIST PRICING**

**POST | ROUND TOP | STATIONARY LEGS**



**ROUND**

Model Number	Table Top Size	Shpg. Wght	Base Spread	LAMINATE TOP ASSORTED EDGES							VENEER TOP	
				GRP 1	GRP 2	GRP 3	GRP 4	GRP 5	GRP 6	GRP 7	GRP 8	GRP 9
PT24D	24" Dia.	32	4-2"	\$517	\$525	\$587	\$640	\$746	\$834	\$940	\$1341	\$1547
PT30D	30" Dia.	43	4-2"	\$658	\$669	\$751	\$821	\$961	\$1078	\$1218	\$1717	\$1970
PT36D	36" Dia.	53	4-2"	\$707	\$721	\$820	\$904	\$1074	\$1215	\$1385	\$1882	\$2118
PT42D	42" Dia.	72	4-2"	\$836	\$856	\$1000	\$1124	\$1371	\$1577	\$1823	\$2316	\$2509
PT48D	48" Dia.	86	4-2"	\$964	\$989	\$1164	\$1313	\$1612	\$1861	\$2160	\$2700	\$2896
PT54D	54" Dia.	101	4-2"	\$1160	\$1191	\$1412	\$1601	\$1979	\$2294	\$2672	\$3282	\$3483
PT60D	60" Dia.	118	4-2"	\$1258	\$1294	\$1549	\$1768	\$2205	\$2570	\$3007	\$3613	\$3781

**POST | SQUARE TOP | STATIONARY LEGS**



**SQUARE**

Model Number	Table Top Size	Shpg. Wght	Base Spread	LAMINATE TOP ASSORTED EDGES							VENEER TOP	
				GRP 1	GRP 2	GRP 3	GRP 4	GRP 5	GRP 6	GRP 7	GRP 8	GRP 9
PT24S	24" Sq.	40	4-2"	\$607	\$616	\$680	\$735	\$844	\$936	\$1045	\$1547	\$1817
PT2430S	24x30 Sq.	49	4-2"	\$638	\$649	\$723	\$787	\$916	\$1022	\$1151	\$1651	\$1910
PT30S	30" Sq.	54	4-2"	\$658	\$669	\$751	\$821	\$961	\$1078	\$1218	\$1717	\$1970
PT36S	36" Sq.	67	4-2"	\$707	\$721	\$820	\$904	\$1074	\$1215	\$1385	\$1882	\$2118
PT42S	42" Sq.	90	4-2"	\$857	\$877	\$1021	\$1145	\$1392	\$1598	\$1844	\$2362	\$2571
PT48S	48" Sq.	107	4-2"	\$1006	\$1031	\$1206	\$1355	\$1654	\$1903	\$2202	\$2411	\$2678
PT54S	54" Sq.	126	4-2"	\$1160	\$1191	\$1412	\$1601	\$1979	\$2294	\$2672	\$3282	\$3483
PT60S	60" Sq.	148	4-2"	\$1258	\$1294	\$1549	\$1768	\$2205	\$2570	\$3007	\$3613	\$3781

**OPTIONS**

Add upcharge to list price and code to model number

CAS3	3" Black Locking Casters	\$25 ea.
GD	Ganging, per table	\$95
STH	Special Table Height, other than 29"	\$200

SL	Square Leg/Column	\$40 per leg
PC	Polished Chrome - per leg (round leg only)	\$40
RAD	3" Radius Corners for 3MM Edge	\$200 per table

**MODEL / DESCRIPTION / LIST PRICING**

**POST | RECTANGLE TOP | STATIONARY LEGS**

Model Number	TableTop Size	Shpg. Wght	Base Spread	LAMINATETOPASSORTEDEGES							VENEERTOP	
				GRP1	GRP2	GRP3	GRP4	GRP5	GRP6	GRP7	GRP8	GRP9
PT2448	24X48	70	4-2"	\$720	\$734	\$830	\$913	\$1078	\$1215	\$1381	\$1904	\$2159
PT2460	24X60	79	4-2"	\$753	\$768	\$876	\$968	\$1153	\$1307	\$1491	\$2013	\$2257
PT2472	24X72	88	4-2"	\$848	\$865	\$984	\$1087	\$1291	\$1461	\$1665	\$2261	\$2543
PT2484	24X84	97	4-2"	\$976	\$996	\$1139	\$1261	\$1506	\$1710	\$1955	\$2620	\$2926
PT2496	24X96	106	4-2"	\$1032	\$1054	\$1209	\$1341	\$1607	\$1828	\$2093	\$2783	\$3094
PT3048	30X48	79	4-2"	\$736	\$751	\$860	\$953	\$1140	\$1296	\$1483	\$1979	\$2206
PT3060	30X60	118	4-2"	\$775	\$792	\$915	\$1020	\$1231	\$1406	\$1617	\$2112	\$2325
PT3072	30X72	147	4-2"	\$919	\$939	\$1075	\$1192	\$1426	\$1621	\$1855	\$2475	\$2757
PT3084	30X84	113	4-2"	\$1057	\$1080	\$1244	\$1384	\$1665	\$1899	\$2179	\$2868	\$3171
PT3096	30X96	158	4-2"	\$1098	\$1124	\$1302	\$1454	\$1760	\$2014	\$2319	\$3007	\$3295
PT3660	36X60	131	4-2"	\$889	\$909	\$1050	\$1171	\$1412	\$1613	\$1855	\$2423	\$2668
PT3672	36X72	163	4-2"	\$936	\$958	\$1115	\$1249	\$1518	\$1743	\$2012	\$2578	\$2808
PT3684	36X84	129	4-2"	\$1065	\$1092	\$1279	\$1440	\$1761	\$2029	\$2351	\$2964	\$3197
PT3696	36X96	176	4-2"	\$1113	\$1143	\$1347	\$1522	\$1873	\$2165	\$2515	\$3127	\$3343

**POST | ALMOST SQUARE TOP | STATIONARY LEGS**

Model Number	TableTop Size	Shpg. Wght	Base Spread	LAMINATETOPASSORTEDEGES							VENEERTOP	
				GRP1	GRP2	GRP3	GRP4	GRP5	GRP6	GRP7	GRP8	GRP9
PT48AS	48"AlmostSq.	107	4-2"	NA	1302	\$1567	\$1793	NA	\$2625	\$3079	\$3133	\$3328
PT54AS	54"AlmostSq.	126	4-2"	NA	1456	\$1765	\$2029	NA	\$3000	\$3529	\$4129	\$4246
PT60AS	60"AlmostSq.	148	4-2"	NA	\$1600	\$1958	\$2264	NA	\$3386	\$3998	\$4592	\$4662

**OPTIONS**

Add upcharge to list price and code to model number

CAS3	3" Black Locking Casters	\$25 ea.
GD	Ganging, per table	\$95
STH	Special Table Height, other than 29"	\$200

SL	Square Leg/Column	\$40 per leg
PC	Polished Chrome - per leg (round leg only)	\$40
RAD	3" Radius Corners for 3MM Edge	\$200 per table

**MODEL / DESCRIPTION / LIST PRICING**

**POST | TILTED SQUARE**



TILTED SQUARE

Model Number	Table Top Size	Shpg. Wght	Legs	LAMINATE TOP EDGES		
				2B	3A	4B
PTTSQ	36 X 52	85	4	\$885	\$1040	\$1173

**POST | BOWED TRAPEZOID**



TRAPEZOID

Model Number	Table Top Size	Shpg. Wght	Legs	LAMINATE TOP EDGES		
				2B	3A	4B
PTTZD	28 X 58	90	4	\$898	\$1056	\$1191

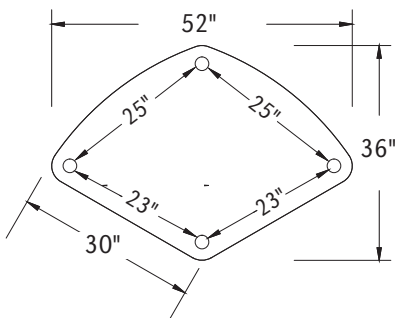
**POST | BOOMER**



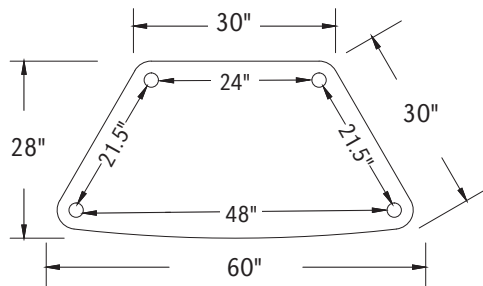
BOOMER

Model Number	Table Top Size	Shpg. Wght	Legs	LAMINATE TOP EDGES		
				2B	3A	4B
PTBMR	42 X 65	102	5	\$1086	\$1270	\$1428

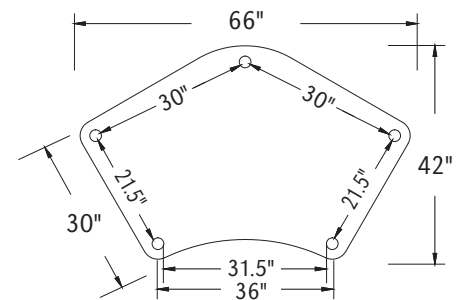
**Note:** These special shapes are available in 3 edge choices only.



TILTED SQUARE



TRAPEZOID



BOOMER

**OPTIONS**

Add upcharge to list price and code to model number

CAS3	3" Black Locking Casters	\$25 ea.
GD	Ganging, per table	\$95
STH	Special Table Height, other than 29"	\$200

SL	Square Leg/Column	\$40 per leg
PC	Polished Chrome - per leg (round leg only)	\$40

**MODEL / DESCRIPTION / LIST PRICING**

**POST | ROUND TOP | EASY FOLD**



ROUND

Model Number	Table Top Size	Shpg. Wght	Base Spread	LAMINATE TOP ASSORTED EDGES									VENEER TOP	
				GRP 1	GRP 2	GRP 3	GRP 4	GRP 5	GRP 6	GRP 7	GRP 8	GRP 9		
PF42D	42" Dia.	101	4-2"	\$1674	\$1710	\$1853	\$1942	\$2209	\$2433	\$2700	\$4113	\$4896		
PF48D	48" Dia.	114	4-2"	\$1766	\$1809	\$1983	\$2088	\$2410	\$2679	\$3001	\$4409	\$5162		
PF54D	54" Dia.	129	4-2"	\$1781	\$1825	\$1999	\$2110	\$2441	\$2715	\$3045	\$4454	\$5201		
PF60D	60" Dia.	147	4-2"	\$2006	\$2067	\$2315	\$2471	\$2936	\$3323	\$3789	\$5182	\$5859		

**POST | SQUARE TOP | EASY FOLD**



SQUARE

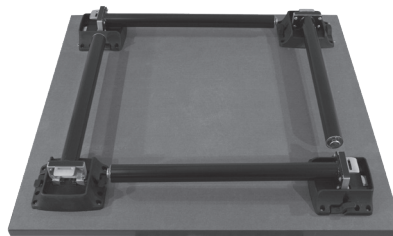
Model Number	Table Top Size	Shpg. Wght	Base Spread	LAMINATE TOP ASSORTED EDGES									VENEER TOP	
				GRP 1	GRP 2	GRP 3	GRP 4	GRP 5	GRP 6	GRP 7	GRP 8	GRP 9		
PF42S	42" Sq.	113	4-2"	\$1648	\$1683	\$1816	\$1901	\$2152	\$2361	\$2613	\$4028	\$4820		
PF48S	48" Sq.	130	4-2"	\$1736	\$1779	\$1940	\$2042	\$2347	\$2600	\$2905	\$4313	\$5077		
PF54S	54" Sq.	149	4-2"	\$1862	\$1912	\$2114	\$2240	\$2618	\$2935	\$3314	\$4715	\$5439		
PF60S	60" Sq.	171	4-2"	\$2027	\$2090	\$2347	\$2505	\$2982	\$3382	\$3861	\$5254	\$5922		

**POST | RECTANGLE TOP | EASY FOLD**



RECTANGLE

Model Number	Table Top Size	Shpg. Wght	Base Spread	LAMINATE TOP ASSORTED EDGES									VENEER TOP	
				GRP 1	GRP 2	GRP 3	GRP 4	GRP 5	GRP 6	GRP 7	GRP 8	GRP 9		
PF3060	30 X 60	106	4-2"	\$1768	\$1813	\$1986	\$2092	\$2417	\$2686	\$3011	\$4418	\$5171		
PF3072	30 X 72	118	4-2"	\$1831	\$1878	\$2072	\$2192	\$2553	\$2853	\$3212	\$4617	\$5350		
PF3084	30 X 84	147	4-2"	\$1946	\$2005	\$2233	\$2377	\$2807	\$3164	\$3596	\$4992	\$5687		
PF3096	30 X 96	158	4-2"	\$1974	\$2034	\$2273	\$2422	\$2868	\$3242	\$3689	\$5084	\$5769		
PF3660	36 X 60	118	4-2"	\$1858	\$1910	\$2111	\$2238	\$2615	\$2930	\$3308	\$4710	\$5434		
PF3672	36 X 72	131	4-2"	\$1929	\$1986	\$2211	\$2350	\$2770	\$3120	\$3540	\$4938	\$5637		
PF3684	36 X 84	163	4-2"	\$2021	\$2085	\$2338	\$2496	\$2971	\$3367	\$3842	\$5235	\$5905		
PF3696	36 X 96	176	4-2"	\$2091	\$2160	\$2436	\$2609	\$3126	\$3557	\$4073	\$5463	\$6109		



Note: Folding legs are only available with round column.

**OPTIONS**

Add upcharge to list price and code to model number

CAS3	3" Mobile Casters	\$25 each
GD	Ganging, per table	\$95
STH	Special Table Height, other than 29"	\$200

PC	Polished Chrome - per leg	\$40
RAD	3" Radius Corners for 3MM Edge	\$200 per table



POST RECTANGLE CONFERENCE TABLE



POST RACETRACK CONFERENCE TABLE

**ORDERING INFORMATION**

- |                 |                               |
|-----------------|-------------------------------|
| 1) Series Name  | 5) Laminate Selection and No. |
| 2) Model Number | 6) Edge Style Code and Color  |
| 3) Size         | 7) Wood Species               |
| 4) Quantity     | 9) Wood Stain Color           |
| 5) Frame Color  | 10) Optional Items            |

**POST CONFERENCE SPECIFICATIONS**

**Post Base**

- Table Height** Table height is 29" to 30" depending on table top specified.
- Legs** The Post Conference leg is made with 3", 14 gauge round steel tubing.
- Plate** 8" x 8" stamped metal plate.
- Glides** Adjustable glides.
- Assembly** Base mounts to top with 1/4" - 20 machine screws into metal inserts - NO WOOD SCREWS ARE USED.
- For tables over 72" in length, two heavy duty steel stretcher bars are provided.

**Table Tops**

Table top core is CARB Compliant 1.25" particle board. Laminate and phenolic backing are glued with water based adhesives.

**Edge Selection**

ERG offers a wide variety of table top edge materials including PVC, wood, aluminum and resin/urethane. Refer to "Table Edges and Profiles" at beginning of "Tables" section.

**FINISHES**

**Table Bases and Legs**

Post legs are finished in your choice of standard powder coat colors or optional polished chrome.

**Laminate/Veneer Selections**

ERG offers over 1000 standard laminate choices from Nevamar, Wilsonart, Formica and Pionite. Wood veneer is available in transparent stain colors - custom stain matching available.


**OPTIONS**

- CODE: STH - Special Table Height (any table height other than 29")
- CODE: GD - Ganging
- CODE: COT - Oval table top
- CODE: CBT - Boat table top
- CODE: PC - Polished Chrome Legs
- CODE: RAD - 3" Radius Corners for 3MM Edge
- CODE: CAT - Almost Rectangle Table Top
- TABLE ACCESSORIES - Modesty Panels, Bridges, Grommets, Wire Management, Power & Communication Options, Table Dollies - see accessories online under the 'Products' tab

Note: When ordering modesty panel, table and panel must have 3MM edge.

**MODEL / DESCRIPTION / LIST PRICING**

**POST | CONFERENCE | RECTANGLE**

	Model Number	Table Top Size	Shpg. Wght	Base Spread	LAMINATE TOP ASSORTED EDGES							VENEER TOP	
					GRP 1	GRP 2	GRP 3	GRP 4	GRP 5	GRP 6	GRP 7	GRP 8	GRP 9
 RECTANGLE	PC4272	42 X 72	207	4-3"	\$1791	\$1892	\$2192	\$2592	\$3543	\$3792	\$4294	\$6480	\$8243
	PC4284	42 X 84	234	4-3"	\$1914	\$2027	\$2363	\$2813	\$3880	\$4162	\$4723	\$7032	\$8877
	PC4296	42 X 96	262	4-3"	\$2036	\$2161	\$2535	\$3035	\$4217	\$4529	\$5151	\$7584	\$9514
	PC4872	48 X 72	220	4-3"	\$1877	\$1986	\$2312	\$2746	\$3778	\$4049	\$4592	\$6865	\$8685
	PC4884	48 X 84	234	4-3"	\$2126	\$2250	\$2618	\$3111	\$4279	\$4587	\$5203	\$7776	\$9838
	PC4896	48 X 96	280	4-3"	\$2258	\$2395	\$2802	\$3348	\$4643	\$4983	\$5666	\$8372	\$10524
	PC48108*	48 X 108	310	6-3"	\$2496	\$2645	\$3093	\$3692	\$5112	\$5486	\$6233	\$9229	\$11614
	PC48120*	48 X 120	340	6-3"	\$2628	\$2791	\$3279	\$3931	\$5476	\$5884	\$6698	\$9825	\$12298
	PC48144*	48 X 144	380	6-3"	\$3100	\$3291	\$3859	\$4614	\$6409	\$6883	\$7828	\$11534	\$14473
	PC6096	60 X 96	316	4-3"	\$2493	\$2652	\$3130	\$3770	\$5287	\$5684	\$6483	\$9424	\$11733
	PC60108*	60 X 108	351	6-3"	\$2808	\$2989	\$3532	\$4254	\$5972	\$6424	\$7327	\$10635	\$13232
	PC60120*	60 X 120	385	6-3"	\$2959	\$3156	\$3744	\$4528	\$6390	\$6879	\$7858	\$11317	\$14016
	PC60144*	60 X 144	410	6-3"	\$3609	\$3843	\$4547	\$5486	\$7714	\$8301	\$9474	\$13714	\$17032

\* Asterisk after model number indicates 2 piece tops with center seam for tables over 96" and longer

**POST | CONFERENCE | RACETRACK**

	Model Number	Table Top Size	Shpg. Wght	Base Spread	LAMINATE TOP ASSORTED EDGES							VENEER TOP	
					GRP 1	GRP 2	GRP 3	GRP 4	GRP 5	GRP 6	GRP 7	GRP 8	GRP 9
 RACETRACK	PC4272RT	42 X 72	207	4-3"	\$2030	\$2153	\$2524	\$3021	\$4197	\$4506	\$5126	\$7552	\$9474
	PC4284RT	42 X 84	234	4-3"	\$2152	\$2289	\$2698	\$3242	\$4534	\$4876	\$5557	\$8103	\$10110
	PC4296RT	42 X 96	262	4-3"	\$2274	\$2423	\$2868	\$3462	\$4872	\$5243	\$5984	\$8656	\$10744
	PC4872RT	48 X 72	220	4-3"	\$2115	\$2248	\$2645	\$3175	\$4433	\$4763	\$5425	\$7936	\$9917
	PC4884RT	48 X 84	250	4-3"	\$2363	\$2511	\$2952	\$3539	\$4934	\$5302	\$6036	\$8848	\$11070
	PC4896RT	48 X 96	280	4-3"	\$2567	\$2736	\$3236	\$3905	\$5495	\$5912	\$6749	\$9765	\$12124
	PC48108RT*	48 X 108	310	6-3"	\$2782	\$2958	\$3493	\$4206	\$5898	\$6343	\$7233	\$10514	\$13093
	PC48120RT*	48 X 120	340	6-3"	\$2914	\$3105	\$3680	\$4444	\$6262	\$6742	\$7698	\$11110	\$13778
	PC48144RT*	48 X 144	380	6-3"	\$3387	\$3604	\$4258	\$5127	\$7195	\$7740	\$8829	\$12819	\$15952
	PC6096RT	60 X 96	316	4-3"	\$2777	\$2967	\$3531	\$4284	\$6071	\$6542	\$7483	\$10709	\$13211
	PC60108RT*	60 X 108	351	6-3"	\$3093	\$3303	\$3932	\$4768	\$6757	\$7281	\$8328	\$11921	\$14710
	PC60120RT*	60 X 120	385	6-3"	\$3198	\$3417	\$4077	\$4957	\$7045	\$7593	\$8692	\$12389	\$15248
	PC60144RT*	60 X 144	410	6-3"	\$4263	\$4563	\$5464	\$6664	\$9516	\$10265	\$11765	\$16661	\$20421

\* Asterisk after model number indicates 2 piece tops with center seam for tables over 96" and longer

**OPTIONS**

Add upcharge to list price and code to model number

GD	Ganging, per table	\$95
COT	Oval table top - add to rectangle top price	add 20%
CBT	Boat table top - add to rectangle top price	add 25%
PC	Polished Chrome - per leg	\$40

STH	Special Table Height - any height other than 29"	\$350
RAD	Radius Corners for 3MM Edge	\$200 per table
CAT	Almost Rectangle table top	add 25%





SQUARE POST JR.



ROUND POST JR.

**ORDERING INFORMATION**

- |                               |                              |
|-------------------------------|------------------------------|
| 1) Series Name                | 7) Edge Style Code and Color |
| 2) Model Number               | 8) Optional Items            |
| 3) Size                       |                              |
| 4) Quantity                   |                              |
| 5) Powder Coat Paint Color    |                              |
| 6) Laminate Selection and No. |                              |

**POST JR. wSPECIFICATIONS**

**Post Table Base**

- Table Height** Junior table height is 24" depending on table top specified.
- Legs** The Post Jr. leg is made with 2", 14 gauge round steel tubing.
- Plate** 2" x 4" stamped metal plate.
- Glides** Factory installed vinyl glides are standard.
- Assembly** Post base is a completely welded one piece base, no tie-rod assembly. The top plate is welded to the vertical column. Base mounts to tabletop with 1/4-20 x 1" machine screws into metal inserts in top; NO WOOD SCREWS ARE USED.

**Table Tops**

Table top core is CARB Compliant 1.25" particle board. Laminate and phenolic backing are glued with water based adhesives.

**FINISHES**

**Leg Finish Colors:**

Standard powder coat paint colors.

**Laminate/Veneer Selections**

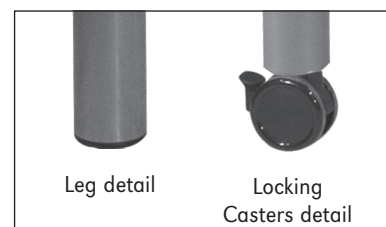
ERG offers over 1000 standard laminate choices from Nevamar, Wilsonart, Formica and Pionite. Wood veneer is available in transparent stain colors - custom stain matching available.

**Edge Selection**

ERG offers a wide variety of table top edge materials including PVC, wood, aluminum, resin and laminate. Refer to "Table Edges and Profiles" at beginning of "Tables" section.

**OPTIONS**

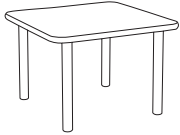
- CODE: CAS3 - 3" Black Locking Casters
- CODE: GD - Ganging
- CODE: STH - Special Table Height, for any table height other than 24"
- TABLE ACCESSORIES - Modesty Panels, Bridges, Grommets, Wire Management, Power & Communication Options, Table Dollies - See accessories online under the 'Products' tab



Leg detail

Locking Casters detail

**MODEL / DESCRIPTION / LIST PRICING**



**1357** Post Jr. Table 30" Sq. Top, Height 24" - Laminate Top

EDGE GRP1	EDGE GRP2	EDGE GRP3	EDGE GRP4	EDGE GRP5	EDGE GRP6	EDGE GRP7
\$676	\$690	\$792	\$879	\$1052	\$1196	\$1369



**1358** Post Jr. Table 30" Round Top, Height 24" - Laminate Top

EDGE GRP1	EDGE GRP2	EDGE GRP3	EDGE GRP4	EDGE GRP5	EDGE GRP6	EDGE GRP7
\$650	\$675	\$724	\$767	\$841	\$941	\$1089



BENTON JUNIOR WOOD CHAIR AND POST JR. TABLE

**OPTIONS**

Add upcharge to list price and code to model number

CAS3	Black Locking Casters	\$25 ea.
GD	Ganging, per table	\$95

STH	Special Table Height, other than 24"	\$200
-----	--------------------------------------	-------