

Corsa Collection



Table of Contents

Specification Details & How to Order	2
Statement of Line & Option Codes	3
Materials & Finishes.....	4-5
Cafe Height Pricing	6-7
Bar Height Pricing	8
Meeting & Community Pricing	9
Occasional Pricing	10

ERGO

Table Top Specifications

Table Top Details

Corsa standard thickness is 1.25" on all models - standard materials, stone and solid surface may vary. We use CARB compliant high-density particle board cores with no added urea formaldehyde or any other toxic VOC's. Tables are finished with a phenolic backing for a seamless finish underneath. Our adhesives? 100% water-soluble, non-toxic and planet friendly.

Construction Details

No shortcuts here. All tops ship with factory-installed metal inserts for secure metal-to-metal connections. Tables hold up better over time (hello less callbacks and service requests) - makes for faster, easier installation. System also allows for easy replacement for future updates. Less waste. Less labor. More peace of mind.

Base Specifications

Column: 3" or 6" diameter stainless steel

Base Spread: 17", 22" or 28"

Base Height: 27.25"

Square Top Plate: 10x10", 12x12", 14x14" or 24x24"

Glides: Nylon glides

Assembly: Top plate is welded to the vertical column, which is attached to the disc using (2) bolts. Base mounts to tabletop with ¼-20 x 1" machine screws into metal inserts.

Base Finish Options

Standard Finish: Stainless Steel

Optional Finish: Powder Coat or Polished Chrome

Freight On Us

We make it easy to get your pieces where they need to go. Orders over \$7,000 list ship free - no extra freight fees and no surprises. For orders \$6,999 and under, a simple flat rate of \$195 will be applied.

Table Top Finish Options

Laminate

We'll source your selection for any project, because life is too short to limit options here. Standard or otherwise, grading in any premiums. Want the field narrowed in? Check out page 4 to view our standard palette.

FENIX®

A high-design surface material with a low-sheen aesthetic. Sleek, ultra-matte, soft-touch and naturally fingerprint resistant; it's equally satisfying to look at as it is easy to live with. We stock a core palette of 8 colors, but happy to chase a custom color if your project calls for it.

Wood Veneer

Real wood, real character. We select our veneers for consistency, not sameness - expect clean grain and warm, natural variation.

Other


Looking for a custom material? Connect with our quoting team via sales@erginternational.com so we can look into options. If it's a specific stone or solid surface, we'll need the exact pattern and quantity of tables to get an accurate quote - none are priced the same!

Sustainability, Built In

We believe better design starts with better materials - and that true quality means making things that last. Because carefreely doesn't mean carelessly, it means caring enough to build responsibly, for people and the planet. Learn more and see current certifications here >>

Lifetime Warranty

Built to last. Backed for life. That's Carefreely - our promise that every piece is made with lasting quality, with a support team that always has your back. If something needs fixing, we're here to repair or replace - whatever it takes to keep your space working beautifully.



Corsa Collection

Café, 29"H - List Pricing

1.



2.

Model Number	Table Top Size	Base Spread	Table Height	Shpg. Wght.	LAMINATE TOP ASSORTED EDGES						VENEER
					GRP. 1	GRP. 2	GRP. 3	GRP. 4	GRP. 5	GRP. 6	
COR24S	24" Dia.	17"	29"	32	\$411	\$424	\$945	\$1283	\$1374	\$1798	
COR30S	30" Dia.	22"	29"	43	\$958	\$982	\$1138	\$1472	\$1737	\$2169	
COR36S	36" Dia.	22"	29"	55	\$1095	\$1124	\$1310	\$1702	\$2014	\$2499	
COR42S	42" Dia.	22"	29"	72	\$1305	\$1341	\$1509	\$2135	\$2511	\$3026	
COR48S	48" Dia.	28"	29"	86	\$1720	\$1766	\$2063	\$2721	\$3170	\$3931	
COR54S	54" Dia.	28"	29"	135	\$3543	\$3704	\$3972	\$4438	\$4974	\$6700	
COR60C	60" Dia.	28"	29"	160	\$3387	\$3247	\$3651	\$4539	\$5133	\$6844	

3.



4.

Model Number	Table Top Size	Base Spread	Table Height	Shpg. Wght.	LAMINATE TOP ASSORTED EDGES						VENEER
					GRP. 1	GRP. 2	GRP. 3	GRP. 4	GRP. 5	GRP. 6	
COR24SQ	24" Sq.	17"	29"	40	\$801	\$822	\$944	\$1298	\$1395	\$1799	
COR24SQS	24x30 Sq.	22"	29"	49	\$687	\$687	\$1030	\$1332	\$1560	\$1965	
COR30SQ	30" Sq.	22"	29"	54	\$940	\$966	\$1325	\$1485	\$1699	\$2137	
COR36SQ	36" Sq.	22"	29"	67	\$1114	\$1141	\$1336	\$1750	\$2059	\$2547	
COR42SQ	42" Sq.	28"	29"	90	\$1562	\$1599	\$1846	\$2376	\$2752	\$3512	
COR48SQ	48" Sq.	28"	29"	138	\$1736	\$1781	\$2088	\$2787	\$3136	\$3977	

5.

Available Option Codes

Add desired upcharges to list price and code to model number. Below upcharges all shown in list pricing:

SF	Powder Coat Finish	\$85	per base	RAD	3" Radius Corners for 3MM Edge	\$283	per table
STH	Special Table Height (other than 29" or 42")	\$211	per base	FX1	FENIX® Surface Material (Sizes 24" - 48" R/S/O)	\$411	per table
BS3	Flat Ganging Device for Café & Training Tables	\$104	per table	FX2	FENIX® Surface Material (Sizes 54" and 60" R)	\$602	per table
PC-OD	Polished Chrome Finish	\$213	per base				

NOTES:
 48" & 60" tables have 6" vertical columns for added stability
 FX2 - Small order charge of \$390 applies on any order with 2 or less tables

www.erginternational.com | sales@erginternational.com

ERG Pro Tip:

Not sure where to start selecting an Edge Group?
 Here are our most commonly specified:

- 2B: Flat 3MM PVC - solid
- 3A: Flat 3MM PVC - woodgrain
- 6J: Flat Multiply
- 6Q: Reverse Knife Multiply







How to Order

- 1.** Series name & model number
CORSA + COR24S
- 2.** Edge material, then profile, then colorway
3A Edge (3MM flat, woodgrain) + Swede Rift Oak
- 3.** Table top material & colorway
Formica Swede Rift Oak # 8676-26
- 4.** Base finish
Bubblegum powdercoat
- 5.** Relevant option codes
SF - powdercoat; STH - 27" Overall height


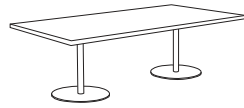



Option Code Breakdown

CODE: SF	Powder Coat Finish	CODE: CRT	Racetrack table top
CODE: PC-CO	Polished Chrome Finish	CODE: COT	Oval table top
CODE: GD3	Flat Ganging Device for Café & Training Tables	CODE: CBT	Boat table top
CODE: STH	Special Table Height (other than 29" or 42")	CODE: CAT	Almost Rectangle Table Top
CODE: RAD	3" Radius Corners for 3MM Edge	CODE: RP	Painted Footring
CODE: FX1	FENIX® Surface Material (tops up to 30x72")		
CODE: FX2	FENIX® Surface Material (tops 30x73" - 48x96")		

Standard Sizes: Cafe & Occasional

	 Round	 Square	 Rectangle
 Occasional 17"H to 22"H	20" (17"H only) 24" 30" 36"	20" 24" 30" 36"	
 Cafe / Working 29"H	24" 48" 30" 54" 36" 60" 42"	24" 42" 30" 48" 36"	24x30" 30x72" 24x48" 36x60" 24x60" 36x72" 30x48" 30x60"
 Bar 42"H	24" 30" 36"	36"	

Standard Sizes: Meeting & Community

	 Rectangle	Optional Top Shapes
 Conference 29"H	42x72" 60x108" 42x84" 60x120" 42x96" 60x144" 48x84" 48x96" 48x108" 48x120" 48x144"	 Racetrack  Boat  Elliptical

ERG Pro Tip:
 If you don't see the size or height you need - no stress, we've got you covered!

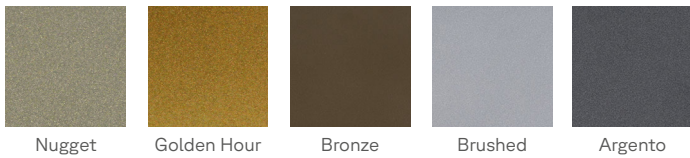
Table Heights: Use our STH Option Code to modify any height (max 42"H)

Table Dims: Call our team for a secret menu of available sizes & pricing.

Powder Coats - Solids



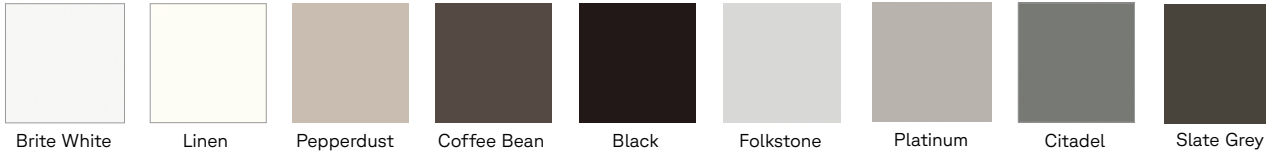
Powder Coats - Metallic



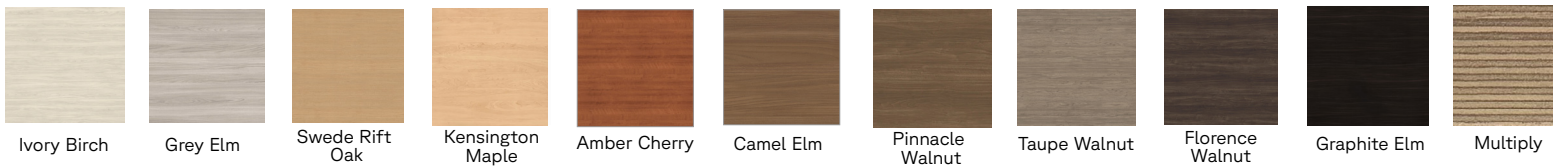
Wood Stain



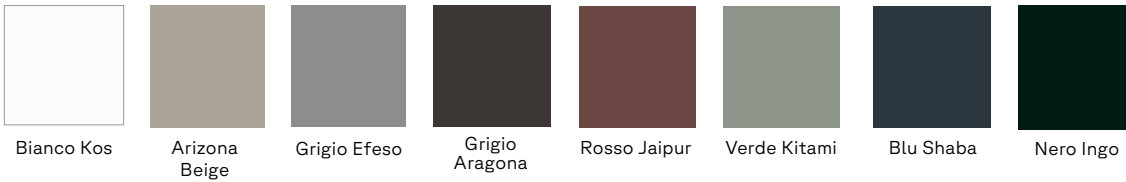
PVC Solid Colors



PVC Woodgrain Colors



FENIX®



Corsa | Café | Round



Model Number	Table Top Size	Base Spread	Table Height	Shpg. Wght.	LAMINATE TOP ASSORTED EDGES						VENEER
					GRP 1	GRP 2	GRP 3	GRP 4	GRP 6	GRP 8	
COR24D	24" Dia.	17"	29"	32	\$811	\$824	\$943	\$1183	\$1374	\$1798	
COR30D	30" Dia.	22"	29"	43	\$958	\$982	\$1138	\$1472	\$1717	\$2169	
COR36D	36" Dia.	22"	29"	53	\$1093	\$1124	\$1310	\$1722	\$2014	\$2499	
COR42D	42" Dia.	22"	29"	72	\$1303	\$1341	\$1589	\$2135	\$2511	\$3026	
COR48D	48" Dia.	28"	29"	86	\$1722	\$1766	\$2063	\$2721	\$3170	\$3931	
COR54D	54" Dia.	28"	29"	135	\$3043	\$3104	\$3572	\$4418	\$4974	\$6700	
COR60D	60" Dia.	28"	29"	160	\$3187	\$3247	\$3651	\$4519	\$5133	\$6844	

Corsa | Café | Square



Model Number	Table Top Size	Base Spread	Table Height	Shpg. Wght.	LAMINATE TOP ASSORTED EDGES						VENEER
					GRP 1	GRP 2	GRP 3	GRP 4	GRP 6	GRP 8	
COR24S	24" Sq.	17"	29"	40	\$801	\$822	\$944	\$1198	\$1395	\$1799	
COR2430S	24x30 Sq.	22"	29"	49	\$867	\$887	\$1030	\$1332	\$1560	\$1965	
COR30S	30" Sq.	22"	29"	54	\$942	\$966	\$1125	\$1455	\$1699	\$2137	
COR36S	36" Sq.	22"	29"	67	\$1114	\$1141	\$1336	\$1758	\$2059	\$2547	
COR42S	42" Sq.	28"	29"	90	\$1562	\$1599	\$1846	\$2376	\$2752	\$3512	
COR48S	48" Sq.	28"	29"	138	\$1736	\$1781	\$2088	\$2757	\$3216	\$3977	

NOTES:

48" & 60" tables have 6" vertical columns for added stability

FX1 - Small order charge of \$406 applies on any order with 2 or less tables

Available Option Codes

Add desired upcharges to list price and code to model number. Below upcharges all shown in list pricing:

SF	Powder Coat Finish	\$85	per base
STH	Special Table Height (other than 29" or 42")	\$213	per base
GD3	Flat Ganging Device for Café & Training Tables	\$156	per table
PC-CO	Polished Chrome Finish	\$213	per base

RAD	3" Radius Corners for 3MM Edge	\$283	per table
FX1	FENIX® Surface Material (tops 24" - 48" R/SQ)	\$411	per table
FX2	FENIX® Surface Material (tops 54" and 60" R)	\$822	per table

Corsa | Café | Rectangle



Model Number	Table Top Size	Base Spread	Table Height	Shpg. Wght.	LAMINATE TOP ASSORTED EDGES					veneer
					GRP 1	GRP 2	GRP 3	GRP 4	GRP 6	GRP 8
COR2448	24X48	2-17"	29"	70	\$1361	\$1385	\$1542	\$1859	\$2107	\$2936
COR2460	24X60	2-17"	29"	79	\$1429	\$1455	\$1632	\$1991	\$2266	\$3105
COR3048	30X48	2-17"	29"	79	\$1495	\$1521	\$1693	\$2048	\$2318	\$3221
COR3060	30X60	2-17"	29"	90	\$1583	\$1614	\$1808	\$2224	\$2531	\$3446
COR3072	30X72	2-17"	29"	102	\$1912	\$1947	\$2163	\$2615	\$2953	\$4711
COR3660	36X60	2-22"	29"	102	\$1934	\$1969	\$2195	\$2661	\$3005	\$4776
COR3672	36X72	2-22"	29"	115	\$2014	\$2054	\$2302	\$2832	\$3219	\$5031

NOTES:

48" & 60" tables have 6" vertical columns for added stability

FX1 - Orders with two tables or less will incur a small order charge of \$406

Tables with 2-3 bases: Optional finish upcharges apply twice or thrice (SF or PC-CO codes)

Available Option Codes

Add upcharge to list price and code to model number

SF	Powder Coat Finish	\$85	per base
STH	Special Table Height (other than 29" or 42")	\$213	per leg
GD3	Flat Ganging Device for Café & Training Tables	\$156	per table
PC-CO	Polished Chrome Finish	\$213	per base

RAD	3" Radius Corners for 3MM Edge	\$283	per table
FX1	FENIX® Surface Material (tops 24"x48" - 30"x72")	\$411	per table
FX2	FENIX® Surface Material (tops 36"x60" - 36"x72")	\$822	per table



Corsa | Bar Height | Round

Model Number	Table Top Size	Base Spread	Table Height	Shpg. Wght.	LAMINATE TOP ASSORTED EDGES					VENEER
					GRP 1	GRP 2	GRP 3	GRP 4	GRP 6	GRP 8
CORH24D	24" Dia.	22"	42"	40	\$1038	\$1058	\$1171	\$1405	\$1593	\$2235
CORH30D	30" Dia.	22"	42"	55	\$1156	\$1181	\$1336	\$1658	\$1902	\$2545
CORH36D	36" Dia.	28"	42"	63	\$1420	\$1449	\$1635	\$2025	\$2323	\$3116



Corsa | Bar Height | Square

Model Number	Table Top Size	Base Spread	Table Height	Shpg. Wght.	LAMINATE TOP ASSORTED EDGES					VENEER
					GRP 1	GRP 2	GRP 3	GRP 4	GRP 6	GRP 8
CORH36S	36" Sq.	28"	42"	67	\$1463	\$1495	\$1683	\$2091	\$2391	\$3212

NOTE:

FX1 - Orders with two tables or less will incur a small order charge of \$406

Available Option Codes

Add upcharge to list price and code to model number

SF	Powder Coat Finish	\$85	per base
STH	Special Table Height (other than 29" or 42")	\$213	per leg
GD3	Flat Ganging Device for Café & Training Tables	\$156	per table
PC-CO	Polished Chrome Finish	\$213	per base

RAD	3" Radius Corners for 3MM Edge	\$283	per table
RP	Painted Foot-ring for Bar Height	\$270	per base
FX1	FENIX® Surface Material (tops 24"-36" R, 36" S)	\$411	per table

Corsa | Occasional | Round



Model Number	Table Top Size	Table Height	Table Shape	Shpg. Weight	LAMINATE TOP EDGE 2B	LAMINATE TOP EDGE 3A OR SELF EDGE	VENEER TOP EDGE 8G
CORO20D	20"dia.	17"	round	35 lbs.	\$1462	\$1785	\$1534
CORO24D	24"dia.	17"	round	40 lbs.	\$1523	\$1857	\$1610
CORO30D	30"dia.	17"	round	45 lbs.	\$1560	\$1903	\$1653
CORO36D	36"dia.	17"	round	50 lbs.	\$1621	\$1978	\$1716
CORO20DT	20"dia.	22"	round	35 lbs.	\$1485	\$1812	\$1572
CORO24DT	24"dia.	22"	round	40 lbs.	\$1542	\$1882	\$1633

Corsa | Occasional | Square



Model Number	Table Top Size	Table Height	Table Shape	Shpg. Weight	LAMINATE TOP EDGE 2B	LAMINATE TOP EDGE 3A OR SELF EDGE	VENEER TOP EDGE 8G
CORO20S	20" x 20"	17"	square	45 lbs.	\$1485	\$1812	\$1572
CORO24S	24" x 24"	17"	square	50 lbs.	\$1542	\$1882	\$1633
CORO30S	30" x 30"	17"	square	55 lbs.	\$1582	\$1931	\$1675
CORO36S	36" x 36"	17"	square	55 lbs.	\$1621	\$1978	\$1716
CORO20ST	20" x 20"	22"	square	47 lbs.	\$1500	\$1830	\$1592
CORO24ST	24" x 24"	22"	square	52 lbs.	\$1560	\$1903	\$1653

NOTE:

FX1 - Orders with two tables or less will incur a small order charge of \$406

Available Option Codes

Add upcharge to list price and code to model number

SF	Powder Coat Finish	\$85	per base
PC-CO	Polished Chrome Finish	\$213	per base

FX1	FENIX® Surface Material (tops 24" - 36")	\$411	per table
-----	--	-------	-----------

Corsa | Meeting & Community | Rectangle



Model Number	TableTop Size	Base Spread	Table Height	Shpg. Wght.	LAMINATE TOP ASSORTED EDGES					VENEER
					GRP1	GRP2	GRP3	GRP4	GRP6	GRP8
CORC4272	42X72	2-28"	29"	129	\$3820	\$3900	\$4427	\$5571	\$6358	\$9701
CORC4284	42X84	2-28"	29"	144	\$3978	\$4064	\$4629	\$5861	\$6701	\$10156
CORC4296	42X96	2-28"	29"	160	\$4091	\$4183	\$4786	\$6108	\$6999	\$10517
CORC4872	48X72	2-28"	29"	142	\$3910	\$3998	\$4555	\$5774	\$6605	\$9994
CORC4884	48X84	2-28"	29"	160	\$4358	\$4449	\$5045	\$6350	\$7240	\$11060
CORC4896	48X96	2-28"	29"	178	\$4486	\$4582	\$5224	\$6631	\$7578	\$11465
CORC48108*	48X108	3-28"	29"	196	N/A	\$4899	\$5578	\$7078	\$8088	\$12245
CORC48120*	48X120	3-28"	29"	214	N/A	\$5031	\$5759	\$7357	\$8428	\$12651
CORC48144*	48X144	3-28"	29"	250	N/A	\$5935	\$6739	\$8510	\$9699	\$14772
CORC6096	60X96	2-28"	29"	214	\$5088	\$5202	\$5924	\$7502	\$8568	\$12990
CORC60108*	60X108	3-28"	29"	237	N/A	\$5458	\$6230	\$7931	\$9068	\$13674
CORC60120*	60X120	3-28"	29"	259	N/A	\$5758	\$6582	\$8399	\$9614	\$14456
CORC60144*	60X144	3-28"	29"	304	N/A	\$6945	\$7866	\$9887	\$11253	\$17231

NOTES:

48" & 60" tables have 6" vertical columns for added stability

72" + tables automatically come with factory installed Anti-Sag Bars

(*) asterisk indicates 2+ pieces tops with center seam

Tables with 2-3 bases: Optional finish upcharges apply twice or thrice (SF or PC-CO codes)

For FENIX® pricing on tables larger than 48x96", please call for quote

Available Option Codes

Add upcharge to list price and code to model number

SF	Powder Coat Finish	\$85	per base	STH	Special Table Height (other than 29" or 42")	\$213	per leg
GD3	Flat Ganging Device for Café & Training Tables	\$156	per table	PC-CO	Polished Chrome Finish	\$213	per base
CRT	Racetrack table top – add to rectangle top price	add 20%	per top	RAD	3" Radius Corners for 3MM Edge	\$283	per table
COT	Eliptical table top – add to rectangle top price	add 20%	per top	FX2	FENIX® Surface Material (tops 42"x72" - 48"x96")	\$822	per table
CBT	Boat table top – add to rectangle top price	add 25%	per top				
CAT	Almost Rectangle table top	add 25%	per top				