

MINGLE

The Mingle tables have multiple fun shapes that allow you a variety of configurations for any fun learning space. Mingle tables move up or down with pin-set legs, can gather for group tables for collaborative learning or separate into single tables, for personal use. It offers options like casters, ganging and power/data to give you the adaptability that works right for your space.



BOOMER



BOWED TRAPEZOID



TILTED SQUARE



ROUND



SQUARE



RECTANGLE

ORDERING INFORMATION

- | | |
|-------------------------------|------------------------------|
| 1) Series Name | 6) Edge Style Code and Color |
| 2) Model Number | 7) Optional Items |
| 3) Size | |
| 4) Quantity | |
| 5) Laminate Selection and No. | |

BASE SPECIFICATIONS

Table Height: Table height range is 23.25" to 31.25" with glides, 26" to 34" with casters.

Legs: The Mingle offers adjustable tubular steel upper leg in brushed aluminum with a 2" diameter chrome lower. Adjustable height legs include a positive locking device that employ two set screws to secure the lower leg. These are adjustable via the included Allen-head setscrew and wrench.

Plate: 5-3/8" x 5-3/8" triangle and it is 1/8" thick

Glides: Premium ABS plastic adjustable glides

Casters: All models available with optional 3" dia. premium smooth rolling black plastic locking casters. Wire management not available.

Assembly: Mingle base is a completely welded one piece outer sleeve with pin adjustable insert, no tie-rod assembly. The top plate is welded to the vertical column. Leg mounts to tabletop with 1/4"-20 machine screws into metal inserts in top; NO WOOD SCREWS ARE USED.

STANDARD BASE FINISHES

Metal Legs: Brushed aluminum outer sleeve with a polished chrome inner adjustable lower leg

TABLE TOP SPECIFICATIONS

Table Top

Table top core is CARB Compliant 1.25" particle board. Laminate and phenolic backing are glued with water based adhesives. Tops have radius corners.

COLOR / EDGE SELECTION

Laminate Selections

ERG offers over 1000 standard laminate choices from Nevamar, Wilsonart, Formica and Pionite. Wood veneer is available in transparent stain colors - custom stain matching available for an upcharge.

Edge Selections

ERG offers a wide variety of table top edge materials including PVC, wood, aluminum and resin/urethane.

Special Edge Note: When ganging or butting tables together, ERG recommends using 3MM flat edge or flat wood edge. Square tables using **T-MOLD** edge will have a 3" radius on all corners.

Table Edges

All corners have a radius edge.

Edges available are:

- 2B (3MM solid colors)
- 3A (3MM woodgrain colors)
- 4B (exposed multi-ply flat).

OPTIONS

- CODE: GD3 - Flat Ganging Device for Café & Training Tables
- CODE: CAS3 - 3" Locking Casters - Black

DETAIL



PIN HEIGHT ADJUSTMENT DETAIL



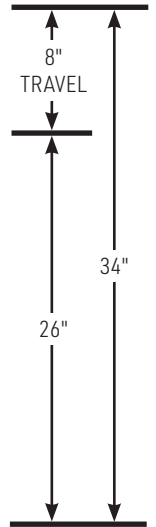
ADJUSTABLE GLIDES



OPTIONAL MOBILE LOCKING CASTERS

CASTERS: TABLE HEIGHT RANGE

Adjustable in 1" increments.
NOTE: HEIGHT INCLUDES 1.25" TABLE TOP



GLIDE: TABLE HEIGHT RANGE

Adjustable in 1" increments.
NOTE: HEIGHT INCLUDES 1.25" TABLE TOP



TILTED SQUARE
TRAINING TABLE



MODEL / DESCRIPTION / LIST PRICING

MINGLE | TRAINING | TILTED SQUARE



Model Number	Table Top Size	Shpg. Wght	Legs	LAMINATE TOP EDGES		
				2B	3A	6Q
MGLTSQ	36 X 52	85	4	\$1225	\$1513	\$2696

MINGLE | TRAINING | BOWED TRAPEZOID

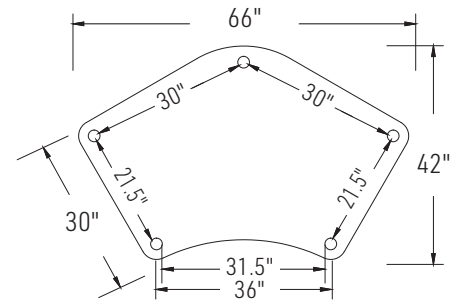
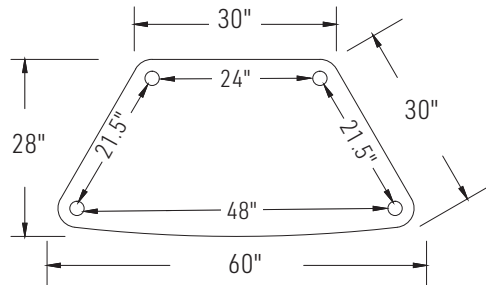
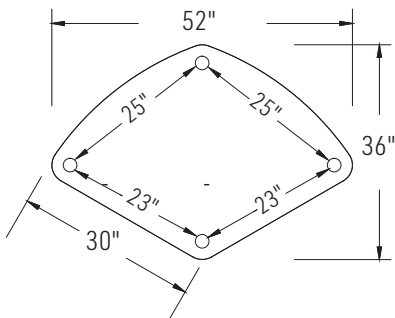


Model Number	Table Top Size	Shpg. Wght	Legs	LAMINATE TOP EDGES		
				2B	3A	6Q
MGLTZD	28 X 60	90	4	\$1244	\$1536	\$2736

MINGLE | TRAINING | BOOMER



Model Number	Table Top Size	Shpg. Wght	Legs	LAMINATE TOP EDGES		
				2B	3A	6Q
MGLBMR	42 X 66	102	5	\$1504	\$1848	\$3309



OPTIONS

Add upcharge to list price and code to model number

CAS3	3" Locking Casters - Black	\$35	ea.	GD3	Flat Ganging Device for Café & Training Tables	\$150	per pair
------	----------------------------	------	-----	-----	--	-------	----------



42" ROUND TRAINING TABLE



36" SQUARE TRAINING TABLE

MODEL / DESCRIPTION / LIST PRICING

MINGLE | TRAINING | ROUND



ROUND

Model Number	Table Top Size	Shpg. Wght	Legs	LAMINATE TOP EDGES		
				2B	3A	6Q
MGL36D	36" Dia.	58	4	\$1000	\$1194	\$2199
MGL42D	42" Dia.	72	4	\$1185	\$1454	\$2608
MGL48D	48" Dia.	88	4	\$1371	\$1693	\$3017

MINGLE | TRAINING | SQUARE



SQUARE

Model Number	Table Top Size	Shpg. Wght	Legs	LAMINATE TOP EDGES		
				2B	3A	6Q
MGL36S	36" Sq.	72	4	\$1000	\$1194	\$2199
MGL42S	42" Sq.	90	4	\$1214	\$1486	\$2671

OPTIONS

Add upcharge to list price and code to model number

CAS3	3" Locking Casters - Black	\$35	ea.	GD3	Flat Ganging Device for Café & Training Tables	\$150	per pair
------	----------------------------	------	-----	-----	--	-------	----------



24X48 RECTANGLE
TRAINING TABLE

MODEL / DESCRIPTION / LIST PRICING

MINGLE | TRAINING | RECTANGLE



RECTANGLE

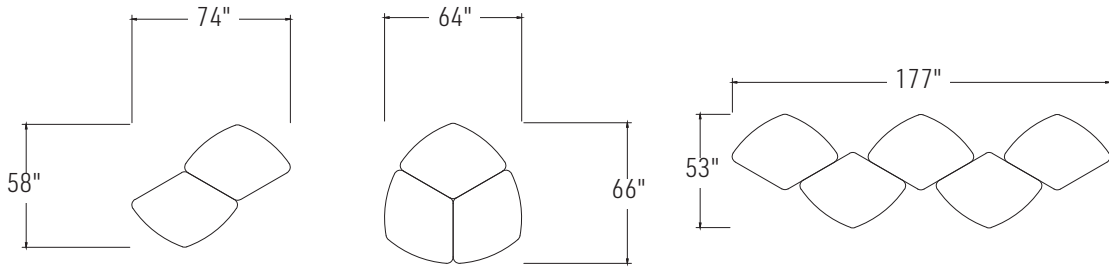
Model Number	Table Top Size	Shpg. Wght	Legs	LAMINATE TOP EDGES		
				2B	3A	6Q
MGL2436	24 X 36	61	4	\$941	\$1112	\$2070
MGL2448	24 X 48	70	4	\$988	\$1175	\$2174
MGL2460	24 X 60	79	4	\$1034	\$1244	\$2276
MGL2472	24 X 72	88	4	\$1170	\$1402	\$2573
MGL3036	30 X 36	68	4	\$983	\$1171	\$2163
MGL3048	30 X 48	79	4	\$1041	\$1251	\$2289
MGL3060	30 X 60	90	4	\$1097	\$1332	\$2415
MGL3072	30 X 72	102	4	\$1243	\$1502	\$2734
MGL3648	36 X 48	88	4	\$1106	\$1343	\$2432
MGL3660	36 X 60	102	4	\$1172	\$1435	\$2579
MGL3672	36 X 72	115	4	\$1326	\$1623	\$2919

OPTIONS

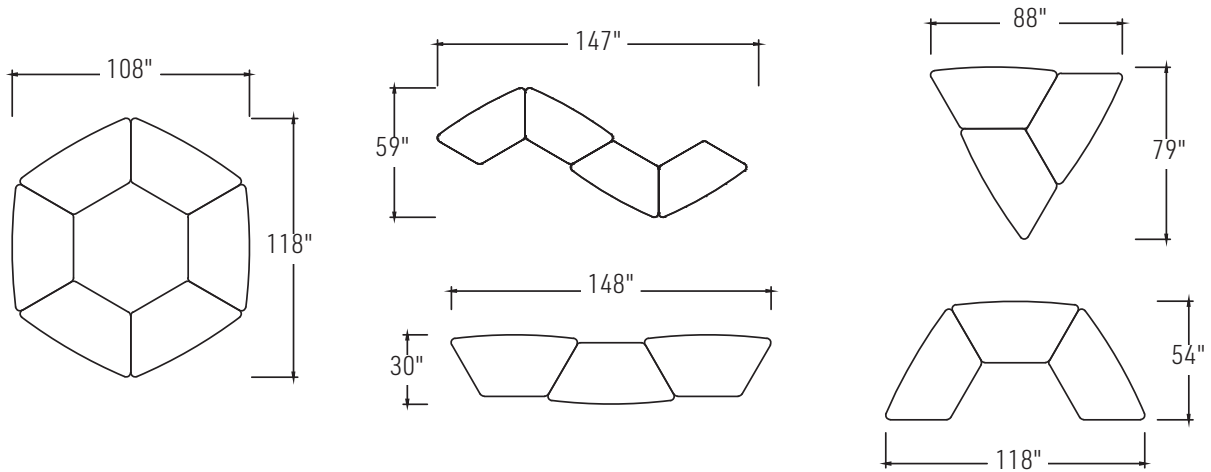
Add upcharge to list price and code to model number

CAS3	3" Locking Casters - Black	\$35	ea.	GD3	Flat Ganging Device for Café & Training Tables	\$150	per pair
------	----------------------------	------	-----	-----	--	-------	----------

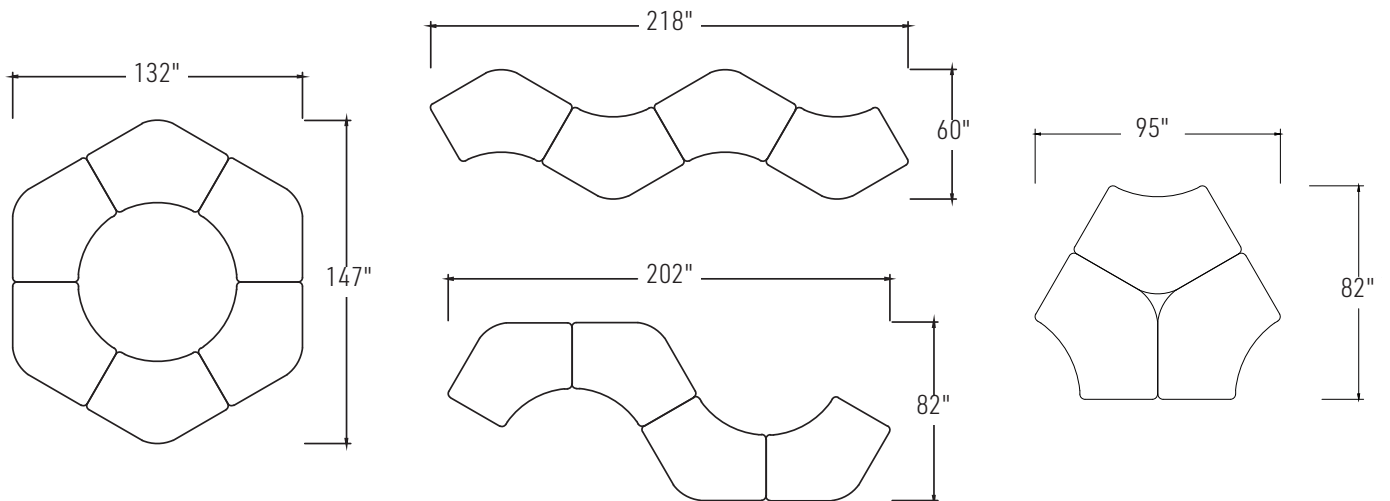
TILTED SQUARE



TRAPEZOID



BOOMER



MULTI-SHAPED CONFIGURATIONS

