

POST

Post tables offer some classic and unique table top shapes, that are great for focused or group activities for training room spaces. It has additional lower heights for children's applications and two leg designs of square or round legs.



24" SQUARE CAFÉ TABLE



48X72" CONFERENCE TABLE

ORDERING INFORMATION

- | | |
|--------------------------|-------------------------------|
| 1) Series Name | 6) Laminate Selection and No. |
| 2) Model Number | 7) Edge Style Code and Color |
| 3) Size | 8) Optional Items |
| 4) Quantity | |
| 5) Leg Powder Coat Color | |

BASE SPECIFICATIONS

Café Legs: The Post leg is made with 2", 14 gauge steel tubing. Round leg is standard, square leg is optional.

Conference Legs: The Post Conference leg is made with 3", 14 gauge round steel tubing.

Plate: 2" x 4" or 8" x 8" stamped metal plate

Glides: Adjustable steel glides

Assembly: Post base is a completely welded one piece base, no tie-rod assembly. The top plate is welded to the vertical column. Base mounts to tabletop with ¼-20 x 1" machine screws into metal inserts in top; NO WOOD SCREWS ARE USED. For tables over 72" in length, two heavy duty steel stretcher bars are provided.

STANDARD BASE FINISHES

Round Leg: Standard Powder Coat

OPTIONAL BASE FINISHES

Round Leg: Polished Chrome

Square Leg: Standard Powder Coat



ROUND LEG

TABLE TOP SPECIFICATIONS

Table Tops

Table top core is CARB Phase I & Phase II Compliant. Laminate, wood veneer and phenolic backing are glued with water based adhesives.

Easy-Fold Mechanism

Lightweight, heavy-duty, and very easy to operate. On folding models, lightweight designer-styled mechanism offers soft visual aesthetics ("non-industrial look"), consists of a nylon injection molded housing, cast aluminum pivot and metal locking slider. Rigid, taper locking design is activated by single lever that also locks in folded position. Legs fold flat and can be stored horizontally. ANSI/BIFMA tested. Round legs are only available on folding.

COLOR / EDGE SELECTIONS

Laminate/Veneer Selections

ERG offers over 1000 standard laminate choices from Nevamar, Wilsonart, Formica and Pionite. Wood veneer is available in transparent stain colors - custom stain matching available for an upcharge.

Edge Selections

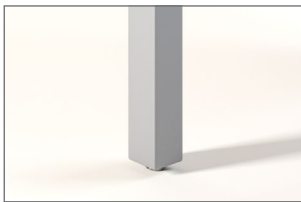
ERG offers a wide variety of table top edge materials including PVC, wood, aluminum and resin/urethane.

Special Edge Note: When ganging or butting tables together, ERG recommends using 3MM flat edge or flat wood edge. Square tables using **T-MOLD** edge will have a 3" radius on all corners.

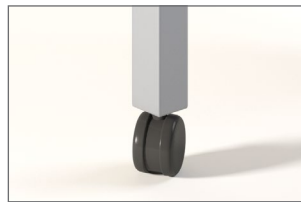
OPTIONS

- CODE: SL - 2" Square Post Legs
- CODE: CAS3 - 3" Locking Casters - Black
- CODE: GD3 - Flat Ganging Device for Café & Training Tables
- CODE: STH - Special Table Height (other than 29")
- CODE: PC - Polished Chrome Legs (round leg only)
- CODE: RAD - 3" Radius Corners for 3MM Edge
- CODE: SLG - Self-Leveling Glide
- CODE: COT - Oval table top
- CODE: CBT - Boat table top
- CODE: CAT - Almost Rectangle Table Top

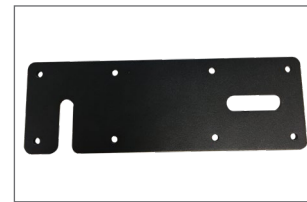
Note: When ordering modesty panel, table and panel must have 3MM edge.



SQUARE LEG



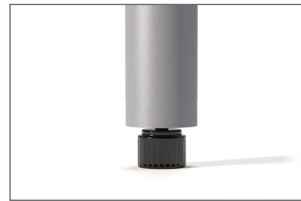
BLACK LOCKING CASTERS



FLAT GANGING DEVICE



POLISHED CHROME LEGS



SELF LEVELING GLIDE

OPTIONAL CONFERENCE TABLE SHAPES



OVAL TOP
CODE: COT



BOAT TOP
CODE: CBT



ALMOST RECTANGLE TOP
CODE: CAT



48" ALMOST SQUARE CAFÉ TABLE
SHOWN WITH OPTIONAL SQUARE LEGS

MODEL / DESCRIPTION / LIST PRICING

POST | CAFÉ | ROUND



ROUND

Model Number	TableTop Size	Number of Legs	Table Height	Shpg. Wght	LAMINATE TOP ASSORTED EDGES							VENEER TOP	
					GRP1	GRP2	GRP3	GRP4	GRP5	GRP6	GRP7	GRP8	GRP9
PT24D	24"Dia.	4	29"	32	\$805	\$819	\$840	\$915	\$1064	\$1191	\$1343	\$1916	\$2211
PT30D	30"Dia.	4	29"	43	\$1026	\$1042	\$1074	\$1173	\$1373	\$1539	\$1741	\$2454	\$2816
PT36D	36"Dia.	4	29"	53	\$1100	\$1125	\$1172	\$1294	\$1535	\$1736	\$1981	\$2689	\$3028
PT42D	42"Dia.	4	29"	72	\$1300	\$1335	\$1430	\$1607	\$1958	\$2252	\$2605	\$3309	\$3586
PT48D	48"Dia.	4	29"	86	\$1502	\$1540	\$1664	\$1875	\$2303	\$2660	\$3087	\$3859	\$4139
PT54D	54"Dia.	4	29"	101	\$1809	\$1857	\$2016	\$2287	\$2827	\$3278	\$3819	\$4690	\$4976
PT60D	60"Dia.	4	29"	118	\$1961	\$2016	\$2213	\$2526	\$3150	\$3673	\$4298	\$5162	\$5402

POST | CAFÉ | SQUARE



SQUARE

Model Number	TableTop Size	Number of Legs	Table Height	Shpg. Wght	LAMINATE TOP ASSORTED EDGES							VENEER TOP	
					GRP1	GRP2	GRP3	GRP4	GRP5	GRP6	GRP7	GRP8	GRP9
PT24S	24"Sq.	4	29"	40	\$946	\$959	\$970	\$1051	\$1206	\$1337	\$1494	\$2211	\$2596
PT2430S	24x30Sq.	4	29"	49	\$994	\$1008	\$1034	\$1126	\$1309	\$1461	\$1645	\$2359	\$2728
PT30S	30"Sq.	4	29"	54	\$1026	\$1042	\$1074	\$1173	\$1373	\$1539	\$1741	\$2454	\$2816
PT36S	36"Sq.	4	29"	67	\$1100	\$1125	\$1172	\$1294	\$1535	\$1736	\$1981	\$2689	\$3028
PT42S	42"Sq.	4	29"	90	\$1336	\$1366	\$1460	\$1636	\$1990	\$2283	\$2634	\$3376	\$3674
PT48S	48"Sq.	4	29"	107	\$1567	\$1605	\$1723	\$1936	\$2364	\$2720	\$3146	\$3445	\$3825
PT54S	54"Sq.	4	29"	126	\$1809	\$1857	\$2016	\$2287	\$2827	\$3278	\$3819	\$4690	\$4976
PT60S	60"Sq.	4	29"	148	\$1961	\$2016	\$2213	\$2526	\$3150	\$3673	\$4298	\$5162	\$5402

POST | CAFÉ | ALMOST SQUARE



ALMOST SQUARE TOP

Model Number	TableTop Size	Number of Legs	Table Height	Shpg. Wght	LAMINATE TOP ASSORTED EDGES							VENEER TOP	
					GRP1	GRP2	GRP3	GRP4	GRP5	GRP6	GRP7	GRP8	GRP9
PT48AS	48" x 48"	4	29"	107	NA	\$2028	\$2239	\$2563	NA	\$3752	\$4400	\$4478	\$4757
PT54AS	54" x 54"	4	29"	126	NA	\$2269	\$2523	\$2900	NA	\$4287	\$5043	\$5900	\$6067
PT60AS	60" x 60"	4	29"	148	NA	\$2493	\$2798	\$3235	NA	\$4839	\$5712	\$6564	\$6662

OPTIONS

Add upcharge to list price and code to model number

CAS3	3" Locking Casters - Black	\$35	ea.
GD3	Flat Ganging Device for Café & Training Tables	\$150	per pair
STH	Special Table Height (other than 29")	\$69	per leg

SL	Square Leg/Column	\$147	per leg
PC	Polished Chrome (round leg only)	\$94	per leg
RAD	3" Radius Corners for 3MM Edge	\$272	per table
SLG	Self-Leveling Glide	\$11	per glide



30X60" RECTANGLE TRAINING TABLE
SHOWN WITH OPTIONAL CASTERS AND
SQUARE LEGS

MODEL / DESCRIPTION / LIST PRICING

POST | TRAINING | RECTANGLE



RECTANGLE

Model Number	TableTop Size	Number of Legs	Table Height	Shpg. Wght	LAMINATE TOP ASSORTED EDGES								VENEER TOP	
					GRP1	GRP2	GRP3	GRP4	GRP5	GRP6	GRP7	GRP8	GRP9	
PT2448	24X48	4	29"	70	\$1124	\$1143	\$1187	\$1304	\$1539	\$1736	\$1973	\$2721	\$3085	
PT2460	24X60	4	29"	79	\$1174	\$1198	\$1251	\$1384	\$1647	\$1868	\$2132	\$2875	\$3226	
PT2472	24X72	4	29"	88	\$1321	\$1347	\$1406	\$1554	\$1847	\$2088	\$2378	\$3231	\$3634	
PT2484	24X84	4	29"	97	\$1520	\$1552	\$1628	\$1802	\$2150	\$2444	\$2795	\$3745	\$4180	
PT2496	24X96	4	29"	106	\$1860	\$1894	\$1978	\$2168	\$2547	\$2864	\$3242	\$4228	\$4674	
PT3048	30X48	4	29"	79	\$1146	\$1171	\$1230	\$1364	\$1629	\$1852	\$2119	\$2827	\$3152	
PT3060	30X60	4	29"	118	\$1206	\$1235	\$1308	\$1458	\$1760	\$2009	\$2312	\$3019	\$3322	
PT3072	30X72	4	29"	147	\$1432	\$1463	\$1536	\$1705	\$2038	\$2316	\$2650	\$3537	\$3940	
PT3084	30X84	4	29"	113	\$1646	\$1681	\$1778	\$1980	\$2378	\$2714	\$3114	\$4098	\$4531	
PT3096	30X96	4	29"	158	\$1962	\$2002	\$2112	\$2331	\$2766	\$3128	\$3567	\$4549	\$4960	
PT3660	36X60	4	29"	131	\$1385	\$1415	\$1502	\$1673	\$2016	\$2304	\$2650	\$3463	\$3813	
PT3672	36X72	4	29"	163	\$1458	\$1492	\$1593	\$1784	\$2169	\$2490	\$2874	\$3683	\$4013	
PT3684	36X84	4	29"	129	\$1661	\$1702	\$1826	\$2058	\$2517	\$2900	\$3359	\$4235	\$4569	
PT3696	36X96	4	29"	176	\$1985	\$2033	\$2176	\$2427	\$2928	\$3345	\$3844	\$4720	\$5028	

OPTIONS

Add upcharge to list price and code to model number

CAS3	3" Locking Casters - Black	\$35	ea.
GD3	Flat Ganging Device for Café & Training Tables	\$150	per pair
STH	Special Table Height (other than 29")	\$69	per leg

SL	Square Leg/Column	\$147	per leg
PC	Polished Chrome (round leg only)	\$94	per leg
RAD	3" Radius Corners for 3MM Edge	\$272	per table
SLG	Self-Leveling Glide	\$11	per glide



BOOMER TABLE

MODEL / DESCRIPTION / LIST PRICING

POST | TRAINING | TILTED SQUARE



TILTED SQUARE

Model Number	Table Top Size	Number of Legs	Table Height	Shpg. Wght	LAMINATE TOP EDGES		
					2B	3A	6Q
PTTSQ	36" x 52"	4	29"	85	\$1339	\$1574	\$1773

POST | TRAINING | BOWED TRAPEZOID



BOWED TRAPEZOID

Model Number	Table Top Size	Number of Legs	Table Height	Shpg. Wght	LAMINATE TOP EDGES		
					2B	3A	6Q
PTTZD	28" x 60"	4	29"	90	\$1357	\$1596	\$1801

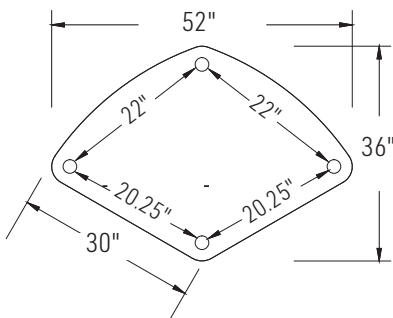
POST | TRAINING | BOOMER



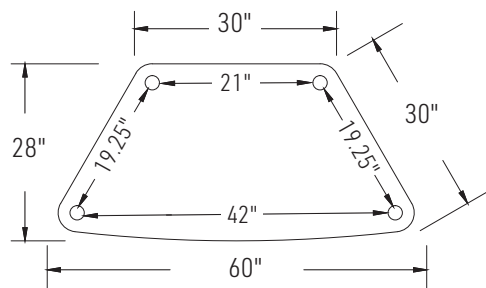
BOOMER

Model Number	Table Top Size	Number of Legs	Table Height	Shpg. Wght	LAMINATE TOP EDGES		
					2B	3A	6Q
PTBMR	42" x 66"	5	29"	102	\$1643	\$1922	\$2160

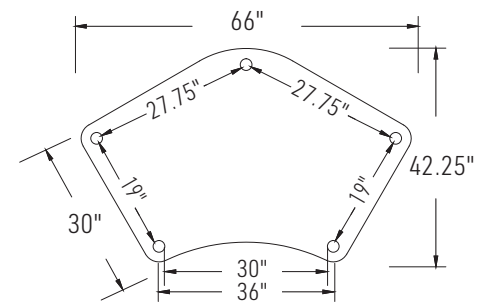
Note: These special shapes are available in 3 edge choices only.



TILTED SQUARE



TRAPEZOID



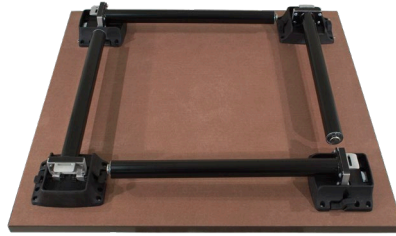
BOOMER

OPTIONS

Add upcharge to list price and code to model number

CAS3	3" Locking Casters - Black	\$35	ea.
GD3	Flat Ganging Device for Café & Training Tables	\$150	per pair
STH	Special Table Height (other than 29")	\$69	per leg

SL	Square Leg/Column	\$147	per leg
PC	Polished Chrome (round leg only)	\$94	per leg
SLG	Self-Leveling Glide	\$11	per glide



SQUARE FOLDING TABLE

MODEL / DESCRIPTION / LIST PRICING

POST | FOLDING | ROUND



ROUND

Model Number	Table Top Size	Number of Legs	Table Height	Shpg. Wght	LAMINATE TOP ASSORTED EDGES								VENEER TOP	
					GRP 1	GRP 2	GRP 3	GRP 4	GRP 5	GRP 6	GRP 7	GRP 8	GRP 9	
PF48D	48" Dia.	4	29"	114	\$2751	\$2817	\$2833	\$2984	\$3444	\$3827	\$4288	\$6301	\$7376	
PF54D	54" Dia.	4	29"	129	\$2774	\$2844	\$2856	\$3012	\$3487	\$3880	\$4352	\$6365	\$7432	
PF60D	60" Dia.	4	29"	147	\$3124	\$3220	\$3308	\$3531	\$4196	\$4749	\$5415	\$7404	\$8374	

POST | FOLDING | SQUARE



SQUARE

Model Number	Table Top Size	Number of Legs	Table Height	Shpg. Wght	LAMINATE TOP ASSORTED EDGES								VENEER TOP	
					GRP 1	GRP 2	GRP 3	GRP 4	GRP 5	GRP 6	GRP 7	GRP 8	GRP 9	
PF42S	42" Sq.	4	29"	113	\$2565	\$2621	\$2594	\$2716	\$3075	\$3375	\$3733	\$5756	\$6888	
PF48S	48" Sq.	4	29"	130	\$2706	\$2770	\$2772	\$2916	\$3354	\$3716	\$4152	\$6162	\$7256	
PF54S	54" Sq.	4	29"	149	\$2900	\$2976	\$3021	\$3201	\$3743	\$4193	\$4733	\$6737	\$7771	
PF60S	60" Sq.	4	29"	171	\$3157	\$3257	\$3354	\$3581	\$4260	\$4834	\$5518	\$7509	\$8463	

POST | FOLDING | RECTANGLE



RECTANGLE

Model Number	Table Top Size	Number of Legs	Table Height	Shpg. Wght	LAMINATE TOP ASSORTED EDGES								VENEER TOP	
					GRP 1	GRP 2	GRP 3	GRP 4	GRP 5	GRP 6	GRP 7	GRP 8	GRP 9	
PF3060	30 X 60	4	29"	106	\$2755	\$2822	\$2840	\$2989	\$3455	\$3839	\$4303	\$6314	\$7390	
PF3072	30 X 72	4	29"	118	\$2853	\$2925	\$2961	\$3133	\$3649	\$4077	\$4589	\$6599	\$7646	
PF3084	30 X 84	4	29"	147	\$3029	\$3122	\$3191	\$3397	\$4011	\$4521	\$5139	\$7134	\$8127	
PF3096	30 X 96	4	29"	158	\$3326	\$3419	\$3501	\$3713	\$4349	\$4884	\$5524	\$7517	\$8496	
PF3660	36 X 60	4	29"	118	\$2895	\$2973	\$3017	\$3198	\$3735	\$4187	\$4727	\$6731	\$7766	
PF3672	36 X 72	4	29"	131	\$3005	\$3095	\$3161	\$3358	\$3957	\$4458	\$5060	\$7056	\$8056	
PF3684	36 X 84	4	29"	163	\$3150	\$3249	\$3341	\$3567	\$4246	\$4810	\$5489	\$7480	\$8439	
PF3696	36 X 96	4	29"	176	\$3509	\$3617	\$3733	\$3980	\$4719	\$5334	\$6071	\$8059	\$8982	



Detail of Folding Mechanism

Note: Folding legs are only available with round column.

OPTIONS

Add upcharge to list price and code to model number

CAS3	3" Mobile Casters	\$35	ea.
GD3	Flat Ganging Device for Caf� & Training Tables	\$150	per pair
STH	Special Table Height (other than 29")	\$69	per leg

PC	Polished Chrome (round leg only)	\$94	per leg
RAD	3" Radius Corners for 3MM Edge	\$272	per table
SLG	Self-Leveling Glide	\$11	per glide

MODEL / DESCRIPTION / LIST PRICING

POST | CONFERENCE | RECTANGLE



Model Number	Table Top Size	Number of Legs	Table Height	Shpg. Wght	LAMINATE TOP ASSORTED EDGES									VENEER TOP	
					GRP1	GRP2	GRP3	GRP4	GRP5	GRP6	GRP7	GRP8	GRP9		
PC4272	42X72	4	29"	207	\$2789	\$2948	\$3133	\$3704	\$5063	\$5419	\$6135	\$9259	\$11780		
PC4284	42X84	4	29"	234	\$2981	\$3157	\$3377	\$4019	\$5544	\$5948	\$6750	\$10051	\$12685		
PC4296	42X96	4	29"	262	\$3423	\$3618	\$3873	\$4589	\$6278	\$6723	\$7613	\$11089	\$13846		
PC4872	48X72	4	29"	220	\$2924	\$3095	\$3304	\$3926	\$5398	\$5786	\$6564	\$9809	\$12412		
PC4884	48X84	4	29"	234	\$3312	\$3505	\$3743	\$4445	\$6115	\$6556	\$7436	\$11112	\$14058		
PC4896	48X96	4	29"	280	\$3770	\$3983	\$4256	\$5037	\$6886	\$7372	\$8350	\$12216	\$15291		
PC48108*	48X108	6	29"	310	N/A	\$4370	\$4673	\$5527	\$7556	\$8091	\$9158	\$13440	\$16846		
PC48120*	48X120	6	29"	340	N/A	\$4599	\$4936	\$5870	\$8077	\$8659	\$9823	\$14292	\$17825		
PC48144*	48X144	6	29"	380	N/A	\$5379	\$5768	\$6844	\$9410	\$10087	\$11439	\$16735	\$20933		
PC6096	60X96	4	29"	316	\$4135	\$4384	\$4724	\$5640	\$7808	\$8376	\$9516	\$13719	\$17018		
PC60108*	60X108	6	29"	351	N/A	\$4909	\$5299	\$6330	\$8785	\$9431	\$10722	\$15449	\$19161		
PC60120*	60X120	6	29"	385	N/A	\$5168	\$5602	\$6722	\$9384	\$10081	\$11482	\$16424	\$20280		
PC60144*	60X144	6	29"	410	N/A	\$6237	\$6749	\$8091	\$11274	\$12114	\$13790	\$19849	\$24592		

* Asterisk after model number indicates 2 piece tops with center seam for tables over 96"

POST | CONFERENCE | RACETRACK



Model Number	Table Top Size	Number of Legs	Table Height	Shpg. Wght	LAMINATE TOP ASSORTED EDGES									VENEER TOP	
					GRP1	GRP2	GRP3	GRP4	GRP5	GRP6	GRP7	GRP8	GRP9		
PC4272RT	42X72	4-3"	29"	207	\$3164	\$3355	\$3609	\$4317	\$5997	\$6440	\$7326	\$10794	\$13539		
PC4284RT	42X84	4-3"	29"	234	\$3352	\$3566	\$3857	\$4633	\$6479	\$6968	\$7941	\$11578	\$14447		
PC4296RT	42X96	4-3"	29"	262	\$3543	\$3774	\$4098	\$4947	\$6963	\$7492	\$8552	\$12370	\$15353		
PC4872RT	48X72	4-3"	29"	220	\$3294	\$3502	\$3779	\$4537	\$6336	\$6807	\$7753	\$11339	\$14173		
PC4884RT	48X84	4-3"	29"	250	\$3681	\$3911	\$4219	\$5059	\$7052	\$7576	\$8626	\$12644	\$15819		
PC4896RT	48X96	4-3"	29"	280	\$4250	\$4512	\$4876	\$5831	\$8104	\$8699	\$9895	\$14205	\$17578		
PC48108RT*	48X108	6-3"	29"	310	N/A	\$4858	\$5244	\$6263	\$8680	\$9316	\$10587	\$15276	\$18962		
PC48120RT*	48X120	6-3"	29"	340	N/A	\$5088	\$5510	\$6601	\$9200	\$9886	\$11254	\$16127	\$19940		
PC48144RT*	48X144	6-3"	29"	380	N/A	\$5865	\$6337	\$7579	\$10534	\$11312	\$12869	\$18571	\$23048		
PC6096RT	60X96	4-3"	29"	316	\$4577	\$4874	\$5298	\$6375	\$8926	\$9600	\$10944	\$15556	\$19129		
PC60108RT*	60X108	6-3"	29"	351	N/A	\$5397	\$5872	\$7064	\$9908	\$10654	\$12154	\$17288	\$21273		
PC60120RT*	60X120	6-3"	29"	385	N/A	\$5573	\$6077	\$7334	\$10318	\$11103	\$12672	\$17955	\$22041		
PC60144RT*	60X144	6-3"	29"	410	N/A	\$7361	\$8061	\$9774	\$13851	\$14919	\$17065	\$24060	\$29436		

* Asterisk after model number indicates 2 piece tops with center seam for tables over 96"

OPTIONS

Add upcharge to list price and code to model number

GD3	Flat Ganging Device for Café & Training Tables	\$150	per pair
COT	Oval table top - add to rectangle top price		add 20%
CBT	Boat table top - add to rectangle top price		add 25%
PC	Polished Chrome (round leg only)	\$94	per leg

STH	Special Table Height (other than 29")	\$69	per leg
RAD	Radius Corners for 3MM Edge	\$272	per table
CAT	Almost Rectangle table top		add 25%
SLG	Self-Leveling Glide	\$11	per glide



POST JR. 30" SQUARE TABLE



POST JR. 30" ROUND TABLE

ORDERING INFORMATION

- | | |
|-----------------|-------------------------------|
| 1) Series Name | 5) Powder Coat Paint Color |
| 2) Model Number | 6) Laminate Selection and No. |
| 3) Size | 7) Edge Style Code and Color |
| 4) Quantity | 8) Optional Items |

BASE SPECIFICATIONS

Legs: The Post Jr. leg is made with 2", 14 gauge round steel tubing.

Plate: 2" x 4" stamped metal plate

Glides: Adjustable steel glides

Assembly: Post base is a completely welded one piece base, no tie-rod assembly. The top plate is welded to the vertical column. Base mounts to tabletop with ¼-20 x 1" machine screws into metal inserts in top; NO WOOD SCREWS ARE USED.

STANDARD BASE FINISHES

Metal Legs: Standard Powder Coat

TABLE TOP SPECIFICATIONS

Table Tops

Table top core is CARB Compliant 1.25" particle board. Laminate and phenolic backing are glued with water based adhesives.

COLOR / EDGE SELECTIONS

Laminate/Veneer Selections

ERG offers over 1000 standard laminate choices from Nevamar, Wilsonart, Formica and Pionite. Wood veneer is available in transparent stain colors - custom stain matching available for an upcharge.

Edge Selections

ERG offers a wide variety of table top edge materials including PVC, wood, aluminum and resin/urethane.

Special Edge Note: When ganging or butting tables together, ERG recommends using 3MM flat edge or flat wood edge. Square tables using **T-MOLD** edge will have a 3" radius on all corners.

OPTIONS

- CODE: CAS3 - 3" Black Locking Casters
- CODE: GD - Flat Ganging Device for Café & Training Tables
- CODE: STH - Special Table Height (other than 20" or 24")
- CODE: SLG - Self-Leveling Glide
- CODE: RAD - 3" Radius Corners for 3MM Edge



BLACK LOCKING CASTERS



POST JR. 36" ROUND TABLE,
SHOWN WITH 24"H AND ELLIOT JR. CHAIRS



POST JR. 30" SQUARE TABLE, SHOWN WITH
20"H AND BENTON JR. CHAIRS

MODEL / DESCRIPTION / LIST PRICING

POST | JUNIOR | SQUARE



SQUARE

Model Number	Table Top Size	Number of Legs	Table Height	Shpg. Wght	LAMINATE TOP ASSORTED EDGES			
					GRP1	GRP2	GRP3	GRP4
1357	30"x30"	4	20"	48	\$1114	\$1170	\$1256	\$1773

POST | JUNIOR | ROUND



ROUND

Model Number	Table Top Size	Number of Legs	Table Height	Shpg. Wght	LAMINATE TOP ASSORTED EDGES			
					GRP 1	GRP 2	GRP 3	GRP 4
1358	30" D	4	20"	40	\$1101	\$1157	\$1242	\$1748
1359	36" D	4	24"	50	\$1170	\$1236	\$1422	\$2020

OPTIONS

Add upcharge to list price and code to model number

CAS3	Black Locking Casters	35	ea.
GD3	Flat Ganging Device for Café & Training Tables	150	per pair
STH	Special Table Height (other than 20" or 24")	69	per leg

SLG	Self-Leveling Glide	11	per glide
RAD	3" Radius Corners for 3MM Edge	\$272	per table