

SINGLE POWER APPLICATION



Ashley Uno

- features:
- 1 AC 15 Amp Power Outlets
 - 2 USB 4.2 Amps
 - 72" Power Cord

MODEL

- Black: 305126.01.04.06
- Silver: 305126.01.01.06
- White: 305126.01.VW.06

LIST PRICE

\$529



Ashley Duo

- features:
- 2 AC 15 Amp Power Outlets
 - 2 USB 4.2 Amps
 - 72" Power Cord

MODEL

- Black: 305051.01.04.06
- Silver: 305051.01.01.06
- White: 305051.01.VW.06

LIST PRICE

\$572



Ashley Trio

- features:
- 3 AC 15 Amp Power Outlets
 - 2 USB 4.2 Amps
 - 1 HDMI Port
 - 72" Power Cord

MODEL

- Black: 305054.01.04.06/HDMI-KEY-B
- Silver: 305054.01.01.06/HDMI-KEY-B
- White: 305054.01.VW.06/HDMI-KEY-B

LIST PRICE

\$732

Note: As application constraints may vary with each order, ERG must approve all power applications.
72" power cord length is standard for all Ashley power and data units.

120" power cord available - please specify when ordering.

MULTIPLE POWER UNIT APPLICATION (DAISY CHAIN)



Ashley Smart Box (required for daisy chain)

- features:
- 144" bracket attachment

MODEL
400022-1-7

LIST PRICE
\$888



Ashley Uno - Daisy Chain Unit

- features:
- 1 AC 15 Amp Power Outlets
 - 2 USB 4.2 Amps
 - 12" daisy chain cord

MODEL
Black: 400080.01.04.01
Silver: 400080.01.01.01
White: 400080.01.VW.01

LIST PRICE
\$521



Ashley Duo - Daisy Chain Unit

- features:
- 2 AC 15 Amp Power Outlets
 - 2 USB 4.2 Amps
 - 12" daisy chain cord

MODEL
Black: 400048.01.04.01
Silver: 400048.01.01.01
White: 400048.01.VW.01

LIST PRICE
\$539



Ashley Trio - Daisy Chain Unit

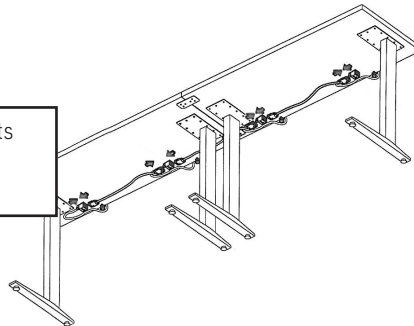
- features:
- 3 AC 15 Amp Power Outlets
 - 2 USB 4.2 Amps
 - 1 HDMI Port
 - 12" daisy chain cord

MODEL
Black: 400051.01.04.01/HDMI-KEY-B
Silver: 400051.01.01.01/HDMI-KEY-B
White: 400051.01.VW.01/HDMI-KEY-B

LIST PRICE
\$758

Daisy Chain order example:

- 4 Ashley Uno Daisy Chain Units
- 3 30" Jumpers
- 1 Ashley Smart Box



JUMPER LENGTHS AVAILABLE BASED ON TABLE SIZE - SEE BELOW

12" - 30" TABLES

	MODEL	LIST PRICE
12" Jumper	400023.1.1	\$135
24" Jumper	400023.1.2	
30" Jumper	400023.1.17	

36" - 60" TABLES

	MODEL	LIST PRICE
36" Jumper	400023.1.18	\$158
48" Jumper	400023.1.4	
60" Jumper	400023.1.6	

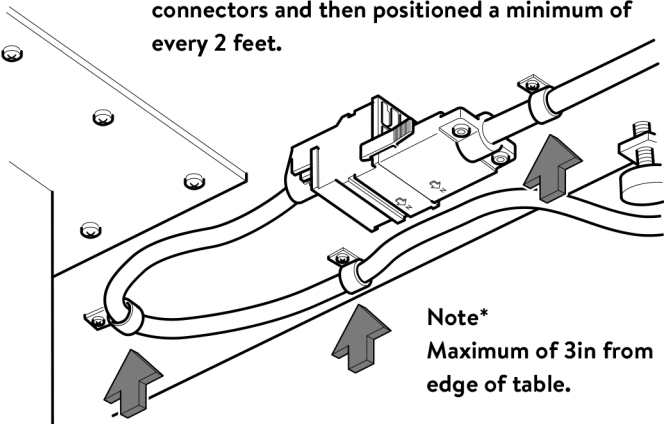
72" - 120" TABLES

	MODEL	LIST PRICE
72" Jumper	400023.1.10	\$185
96" Jumper	400023.1.21	
120" Jumper	400023.1.28	

**MULTIPLE POWER UNIT APPLICATION
(DAISY CHAIN INSTALLATION EXAMPLE)**

Install Cord Supports

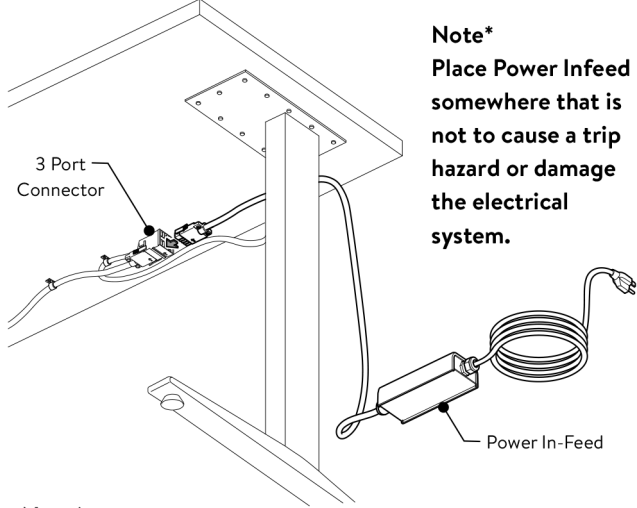
Note*
Cord supports should be located close to connectors and then positioned a minimum of every 2 feet.



Note*
Maximum of 3in from edge of table.

Note*
The cord shall not hang down more than 6 inches below the underside of the table.

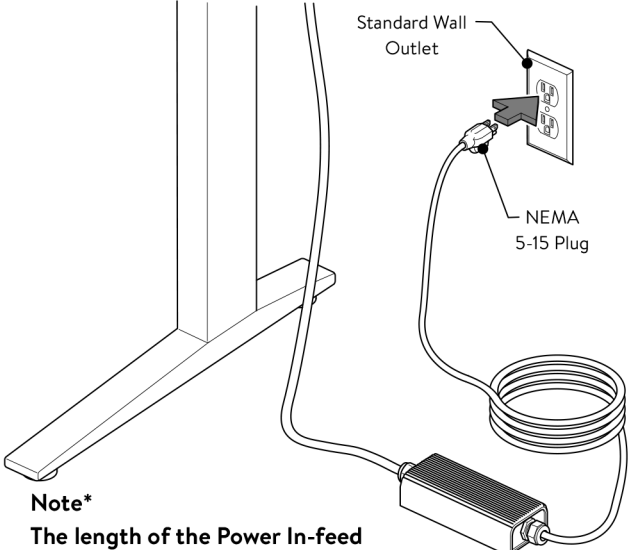
Install Connector End of Power In-Feed into 3-port Connector on any Power Module.



Note*
Place Power Infeed somewhere that is not to cause a trip hazard or damage the electrical system.

Note*
Never use more than one Power In-feed.

Insert NEMA 5-15 Plug into a properly wired/grounded (Non GFCI) Standard Wall Outlet



Note*
The length of the Power In-feed NEMA cord as specified in our Condition of Accountability: